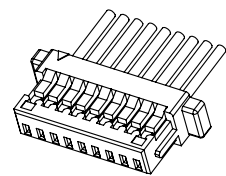


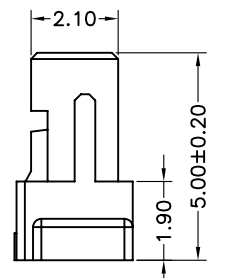
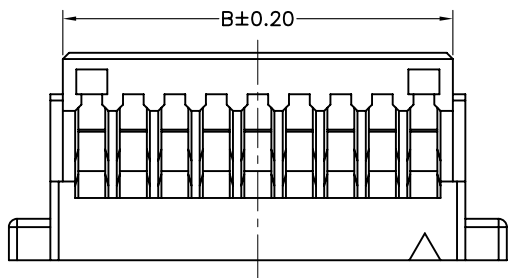
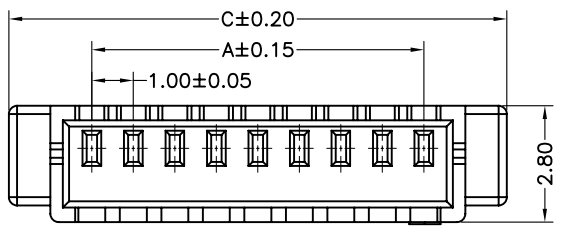
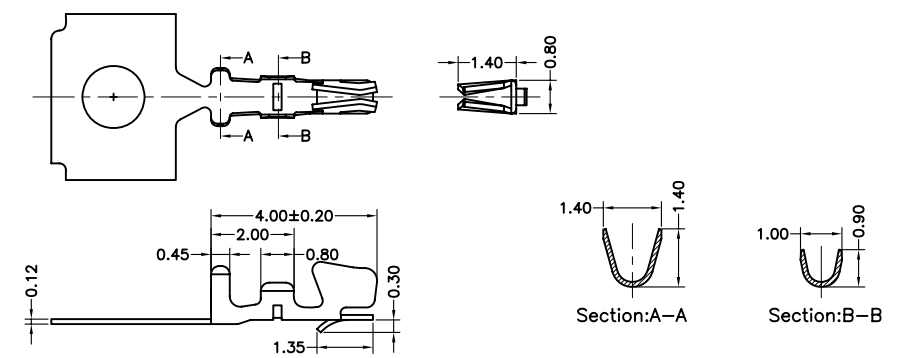
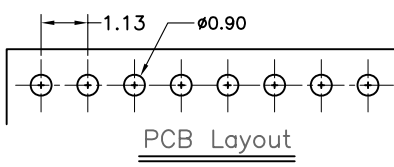
Specifications:
 Current Rating:1.0A AC/DC
 Voltage Rating:50V AC/DC
 Contact Resistance:20m ohm. max.
 Insulation Resistance:100M ohm. min.
 Withstanding Voltage:500V AC For One Minute
 Operating Temperature Range:-25°C ~ +85°C
 Application Wire:AWG #32 To #28
 Material and Finish
 Insulator:Nylon 66 UL94V-0
 Insulator Color:White
 Contact:Phosphor Bronze
 Plating:Tin plated



How To Order:
 H10-XX
 _____ Number of Circuits

Dimension:

Circuits	DIM.A	DIM.B	DIM.C	Circuits	DIM.A	DIM.B	DIM.C
2	1.00	2.40	5.00	9	8.00	9.40	12.00
3	2.00	3.40	6.00	10	9.00	10.40	13.00
4	3.00	4.40	7.00	11	10.00	11.40	14.00
5	4.00	5.40	8.00	12	11.00	12.40	15.00
6	5.00	6.40	9.00	13	12.00	13.40	16.00
7	6.00	7.40	10.00	14	13.00	14.40	17.00
8	7.00	8.40	11.00	15	14.00	15.40	18.00



RoHS Compliant

F				DRAWN:	GENERAL TOLERANCE:	HOYATO 东莞好亚通电子厂 Connector supplies	DESCRIPTION: 1.0mm Wire To Board Housing	SIZE A4
E			Ken	.X=±0.20 .XX=±0.15				
D				CHECKED:	UNIT: MM	PART NO: H10-XX		
C				Lily Chou	SCALE: 1:1			
B				APPROVAL:	SHEET: 1 / 1			
A	01-Jul-2013	(PC0001)	Ken	Chao Peng	PROJECTION:			
REV	DATE	FILE	BY					