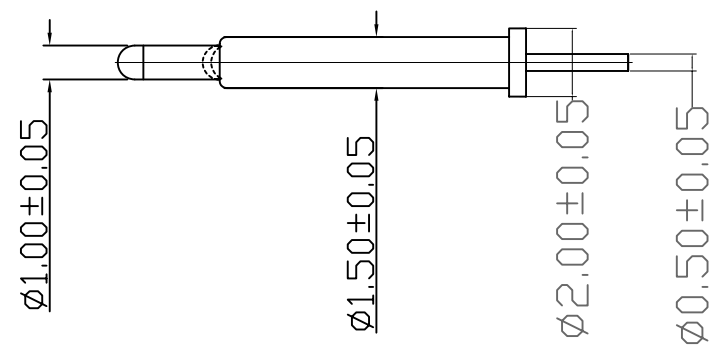


NOTE

1. Material  
Plunger: Brass 3604  
Barrel: Brass 3604  
Spring: SUS304
2. Plating  
Plunger: 1 micro-inch minimum Au over 50~100 micro-inch nickel  
Barrel: 1 micro-inch minimum Au over 50~100 micro-inch nickel
3. Electrical  
Rated current & voltage: DC 12V; 1A Max.  
Contact resistance: 30 mohm maximum at
4. Mechanical  
Spring force:  $50g \pm 20\%$  at normal working height  
Durability: 10,000 cycles (minimum)
5. To ensure the best usage, please operate it based on the working height. Based on the engineering drawings, shall not exceed the maximum allowed compression.
6. To avoid arcing issue, The adaptor start to power supply after connector mated fully.
7. RoHS compliant product.

How to Order:  
PG-D20-L1200GXX  
     G10: Gold Plated 10u"  
     G20: Gold Plated 20u"



				DRAWN: Ken Wang	GENERAL TOLERANCE: .X=±0.2 .XX=±0.15		DESCRIPTION: Pogo Pin Single Contacts L=12.0mm	SIZE <b>A4</b>
E				CHECKED: Lily Chou	UNIT: MM			
D				APPROVAL: Chao Peng	SCALE: 2:1	PART NO: PG-D20-L1200GXX		
C					SHEET: 1 / 1			
B	21-Oct-2019	Amend 50g	Ken Wang		PROJECTION:			
A	06-Jun-2019	(H0001)	Ken Wang					
REV	DATE	FILE	BY					