

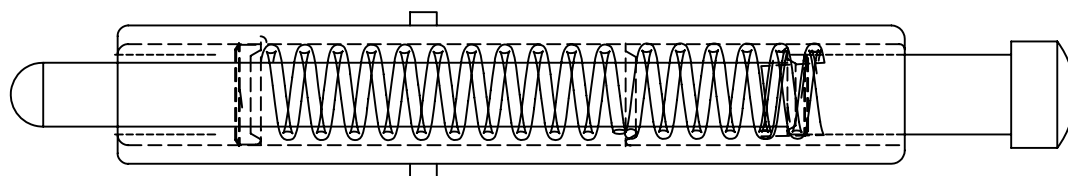
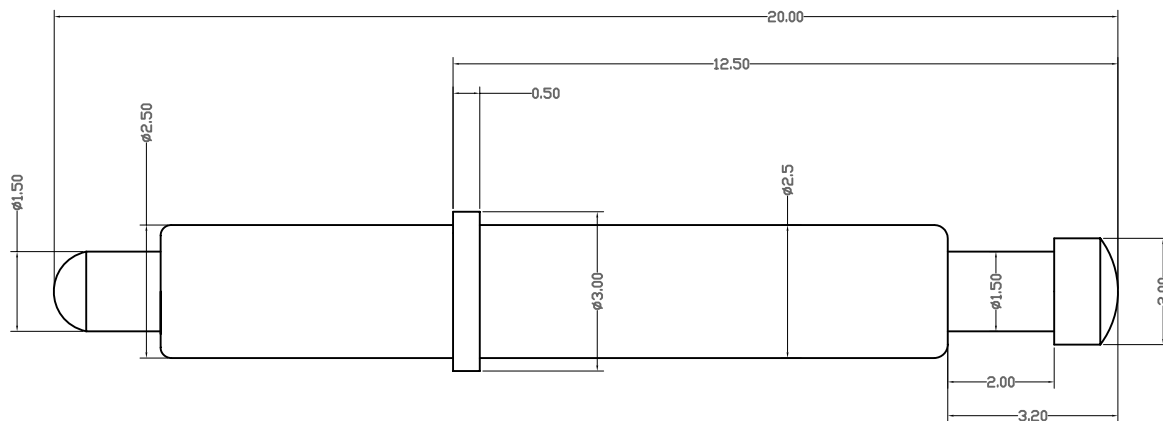
1

2

3


4

5



NOTE

1. Material
Plunger: Brass 3604
Barrel: Brass 3604
Spring: SUS304
2. Plating
Plunger: 10 micro-inch minimum Au over 50~100 micro-inch nickel
Barrel: 10 micro-inch minimum Au over 50~100 micro-inch nickel
3. Electrical
Rated current & voltage: DC 12V; 1.0A Max.
Contact resistance: 50 mohm maximum at
4. Mechanical
Spring force: 100g±20% at normal working height
Durability: 10,000 cycles(minimum)
5. To ensure the best usage, please operate it based on the working height
Based on the engineering drawings, shall not exceed the maximum allowed compression
6. To avoid arcing issue, The adaptor start to power supply after connector mated fully.
7. RoHS compliant product.

				DRAWN: Ken Wang	GENERAL TOLERANCE: .X=±0.2 .XX=±0.15		DESCRIPTION: Pogo Pin Single Contacts L=20.0mm	SIZE A4
E				CHECKED: Lily Chou	UNIT: MM			
D				APPROVAL: Chao Peng	SCALE: 2:1	PART NO: PG-D25-L200G10		
C					SHEET: 1 / 1			
B	06-Jun-2019	3.5 to 3	Ken Wang					
A	17-Apr-2019	(L0149)	Ken Wang					
REV	DATE	FILE	BY					