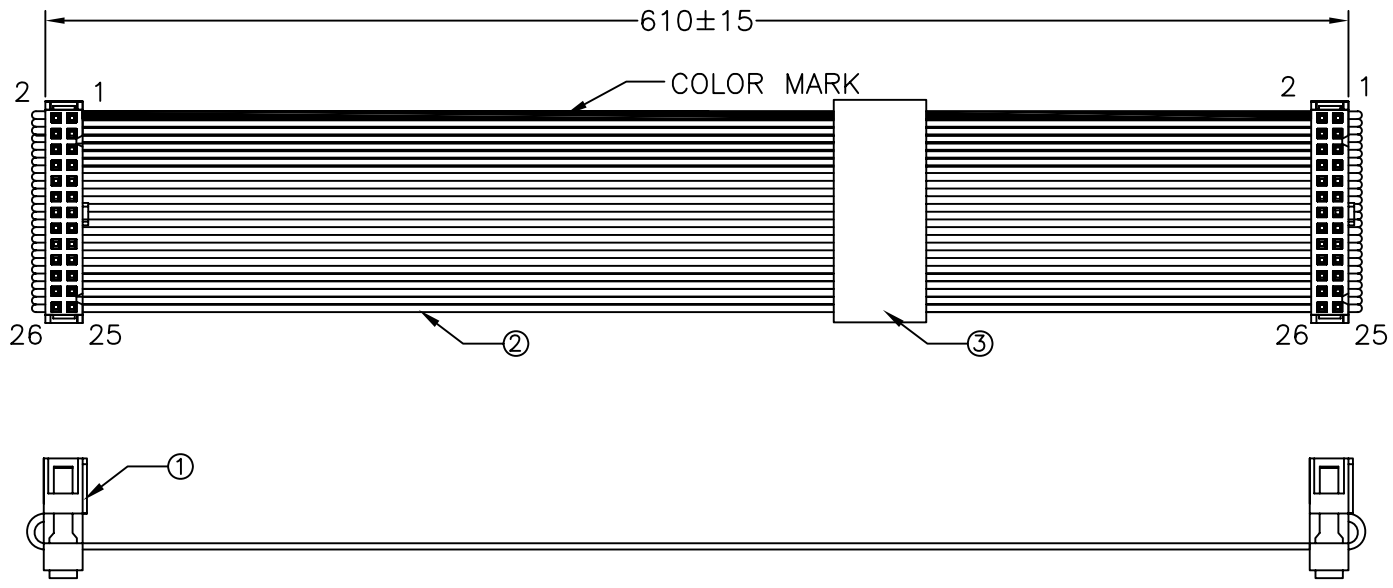


RoHS Compliant



ITEM	PART NO.	DESCRIPTION	QTY
1	IDC254-26SR	2.54MM IDC SOCKET 26WAYS with strain relief	2
2	830-127-26C	1.27MM FLAT CABLE UL 2651 28AWG 120C GREY	1
3	FE-S40*6.5*12	Ferrite Core Clamp Black	1

F				Ken	GENERAL TOLERANCE: .X=±0.20 .XX=±0.15		DESCRIPTION: IDC FLAT CABLE ASSEMBLY	SIZE <b>A4</b>
E								
D								
C				CHECKED: Lily Chou	UNIT: MM			
B					SCALE: 1:1			
A	07-May-2018	(H0049)	Ken	APPROVAL: Chao Peng	SHEET: 1 / 1	PART NO: FCA-IDC254D-26SR-610		
REV	DATE	FILE	BY		PROJECTION:			