

1

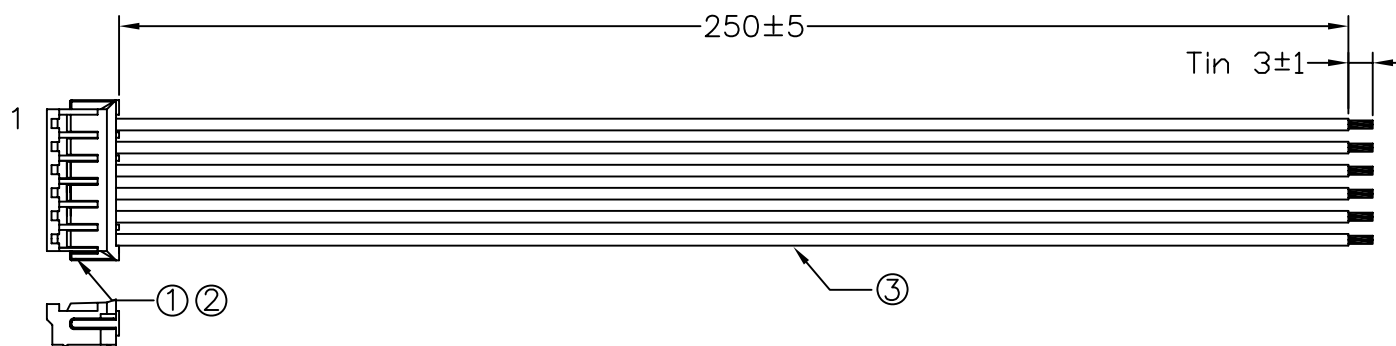
2

3

4

5

RoHS Compliant



PIN OUT

P1		P2
1	Red	Tin
2	Green	Tin
3	Black	Tin
4	Blue	Tin
5	Orange	Tin
6	Brown	Tin

ITEM	PART NO.	DESCRIPTION	REMARK
1	H15-06	1.5mm WIRE TO BOARD HOUSING 6WAYS	1
2	HT15T	1.5mm WIRE TO BOARD TERMINAL Tin Plated	6
3	809-157128TSW-XX	UL 1571 28AWG COLOR : RED	6

F				DRAWN:	GENERAL TOLERANCE:		DESCRIPTION: 1.5MM ZH Female Housing WIRE HARNESS	SIZE A4
E				Tom	.X = ±0.2 .XX = ±0.15			
D				CHECKED:	UNIT: MM	PART NO: HCA-H15-06-250		
C				Ruby	SCALE:			
B				APPROVAL:	SHEET: 1 / 1			
A	15-Jan-2020	(H0049)	Ken	Mike Wu	PROJECTION:			
REV	DATE	FILE	BY					