

1

2

3

4

5

RoHS Compliant

Specification:

Current rating:2.0A AC/DC

Voltage rating:125V AC/DC

Contact resistance:20mohm max.

Insulation resistance:1000Mohm min.

Withstand voltage:500V AC/Minute

Operating temperature range:-40°C to +105°C

Applicable Wire:Awg 22~28

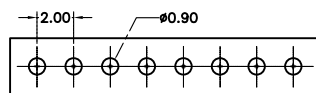
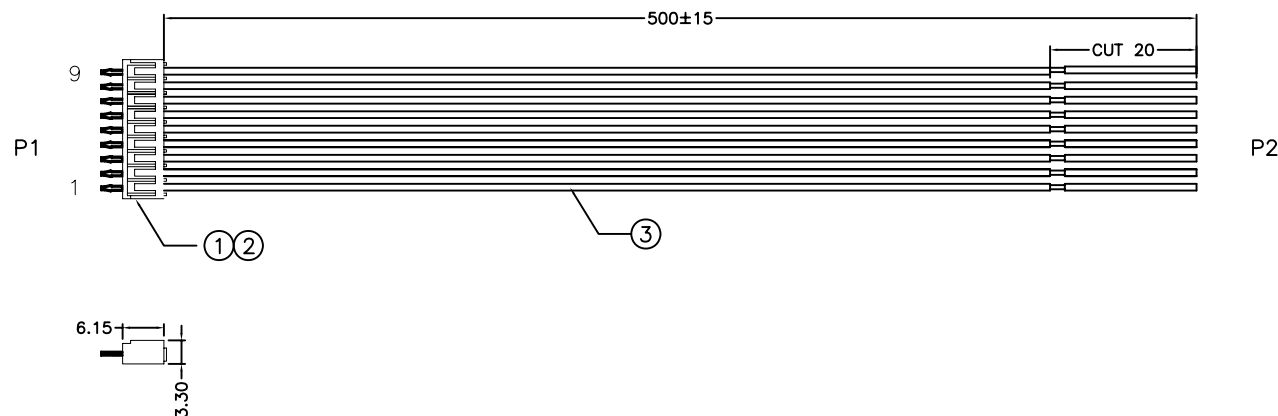
Material and Finish:

Material:Nylon 66 (UL94V-0)

Insulator Color:White

Contact:Phosphor Bronze

Plating:Tin Plated



PCB Layout

PIN OUT:

P1		P2
1	Red	Cut
2	Black	Cut
3	White	Cut
4	Brown	Cut
5	Purple	Cut
6	Orange	Cut
7	Orange	Cut
8	Yellow	Cut
9	Brown	Cut

ITEM	PART NO.	DESCRIPTION	Q'TY
1	H20-09	2.0MM WIRE TO BOARD-IN HOUSING 9WAYS	1
2	HT20T	2.0MM WIRE TO BOARD-INTERMINAL Plated Tin	9
3	809-100724TSW-XX	UL1007 24AWG WIRE	9

F				DRAWN: Tom	GENERAL TOLERANCE: .X=±0.2 .XX=±0.15		
E				CHECKED: Ruby	UNIT: MM		DESCRIPTION: 2.0MM Board-in Housing WIRE HARNESS
D				APPROVAL: Mike Wu	SCALE:	PART NO: HCA-H20-09-500	
C					SHEET: 1 / 1		
B	07-Dec-2021	Amend Color	Ken		PROJECTION:		
A	01-Dec-2021	(H0049)	Ken				
REV	DATE	FILE	BY				