

1

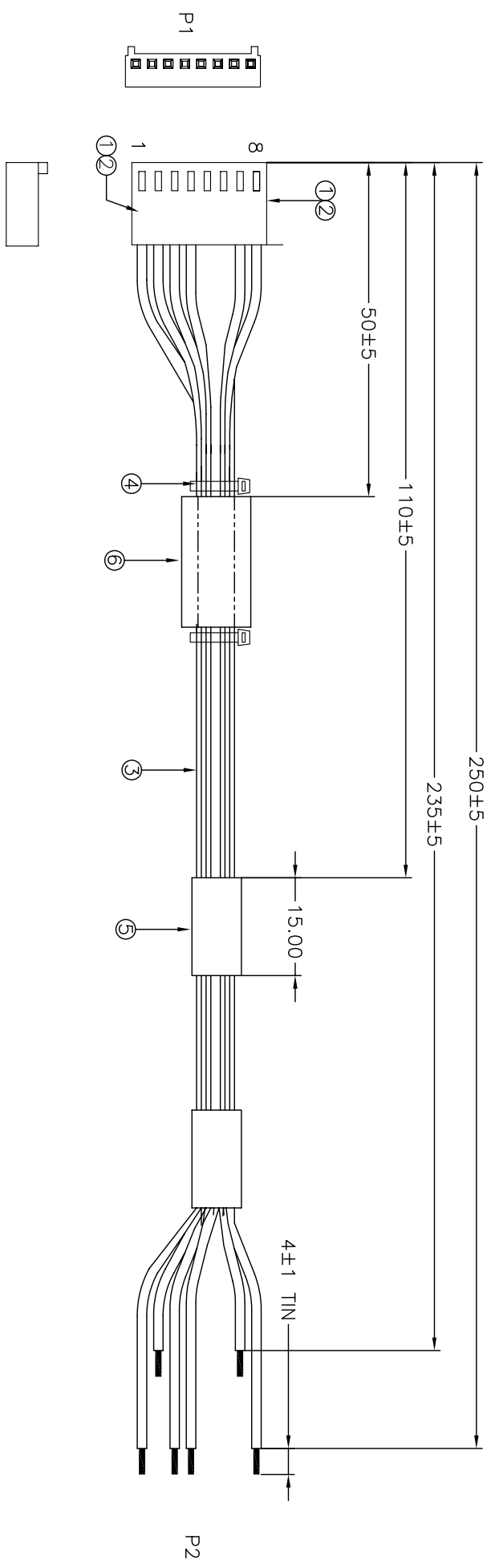
2

3

4

5

RoHS Compliant



PIN OUT:

P1	Brown	P2	TIN
1	Black	1	TIN
2	Purple	2	TIN
3	Blue	3	TIN
4		4	TIN
5		5	TIN
6	Black	6	TIN
7	Red	7	TIN
8		8	TIN

ITEM	PART NO.	DESCRIPTION	QTY
1	22-01-2085	Molex 2.54mm to Board Crimp Housing 8way	1
2	08-50-0114	Molex 2.54mm Crimp Terminal	8
3	809-100722TSW-XX	UL 1007 22AWG WIRE	8
4	912-2.5*80-WH	White Cable Tie W:2.5 L:80mm	3
5	825-H.S-9.0*15-BK	H.S Tube OD:9.0mm L:15mm Black	2
6	74270037	Ferrite 20mm OD 5.6mm(199 ohm @100MHZ)Customer	1

DRAWN: Tom		GENERAL TOLERANCE: .X = ±0.2 .XX = ±0.15		DESCRIPTION: 2.54MM Molex Housing WIRE HARNESS		SIZE
CHECKED: Ruby		UNIT: MM		PART NO: HCA-H254-08-250		A4
APPROVAL: Mike Wu		SCALE: 1 / 1		PROJECTION:		
REV	DATE	FILE	BY			
A	08-June-2016	(H0049)	Ken			
B	14-Oct-2016	Del 5/6 pin	Ken			
C						
D						
E						
F						

D

C

B

A