

1

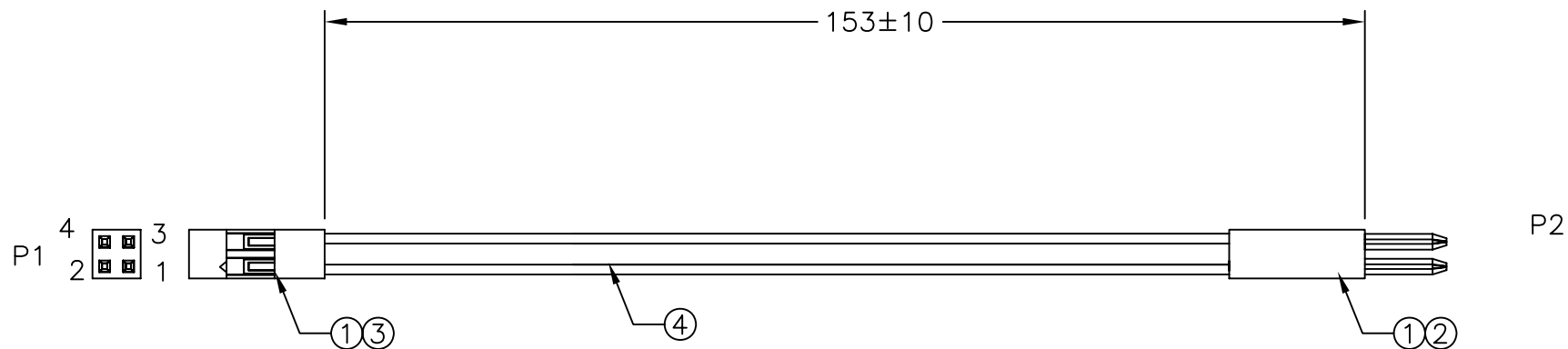
2

3

4

5


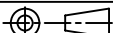
RoHS Compliant



## PIN OUT:

P1		P2
1	Green	3
2	Orange	4
3		1
4	White	2

ITEM	PART NO.	DESCRIPTION	REMARK
1	HB254-04	2.54MM WIRE TO BOARD HOUSING 4WAYS	2
2	HPT254SG	2.54MM WIRE TO BOARD MALE TERMINAL	3
3	HBT254SG	2.54MM WIRE TO BOARD Female TERMINAL	3
4	809-100726TSW-XX	Wire UL1007 26AWG	3

E				DRAWN: Tom	GENERAL TOLERANCE: .X=±0.2 .XX=±0.15		DESCRIPTION: 2.54MM Female TO Male Housing WIRE HARNESS	SIZE <b>A4</b>
D				CHECKED: Ruby	UNIT: MM			
C				APPROVAL: Mike Wu	SCALE:	PART NO: HCA-HB254-04D-153		
B	19-Nov-2018	Amend Pin out	Ken		SHEET: 1 / 1			
A	12-Nov-2018	(H0049)	Ken	PROJECTION: 				
REV	DATE	FILE	BY					