

1

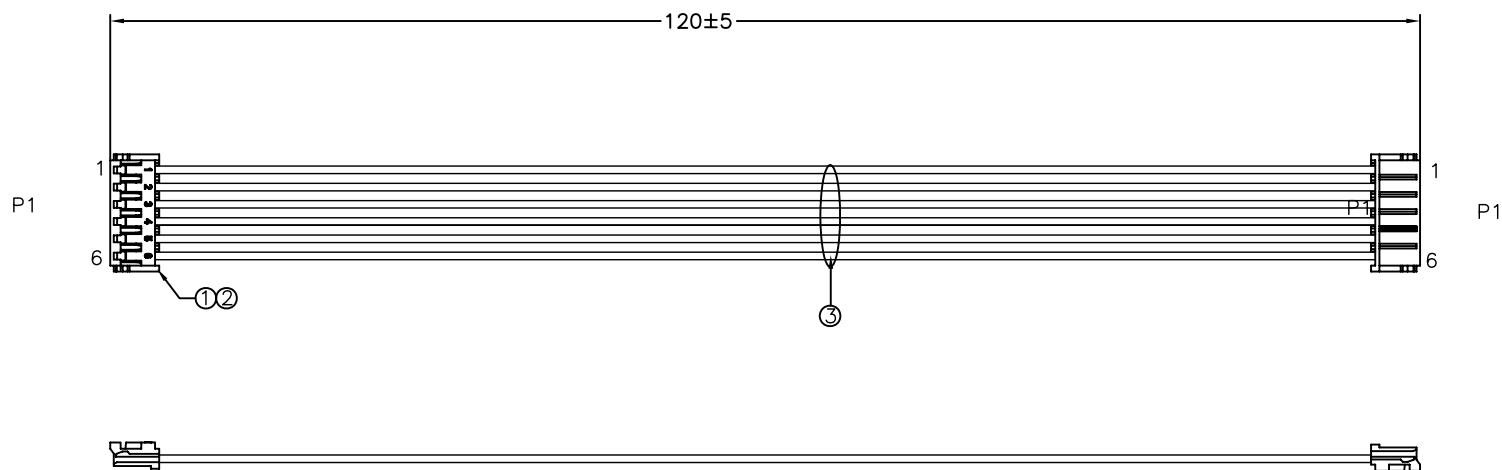
2

3

4

5


RoHS Compliant



PIN OUT:

P1		P2
1	RED	1
2	BLACK	2
3	WHITE	3
4	BLUE	4
5	PURPLE	5
6	GREEN	6

ITEM	PART NO.	DESCRIPTION	QTY
1	HEH25-06	2.5MM WIRE TO BOARD HOUSING 6WAYS	2
2	HEHT25T	2.5MM WIRE TO BOARD TERMINAL	12
3	809-100722TSW-XX	UL 1007 22AWG WIRE	6

F				DRAWN: Tom	GENERAL TOLERANCE: .X=±0.2 .XX=±0.15		DESCRIPTION: 2.5MM EH FEMALE HOUSING WIRE HARNESS	SIZE A4
E				CHECKED: Ruby				
D				APPROVAL: Mike Wu	SCALE:	PART NO: HCA-HEH25-06-120		
C					SHEET: 1 / 1			
B								
A	06-Jun-2018	(H0049)	Ken					
REV	DATE	FILE	BY					