

1

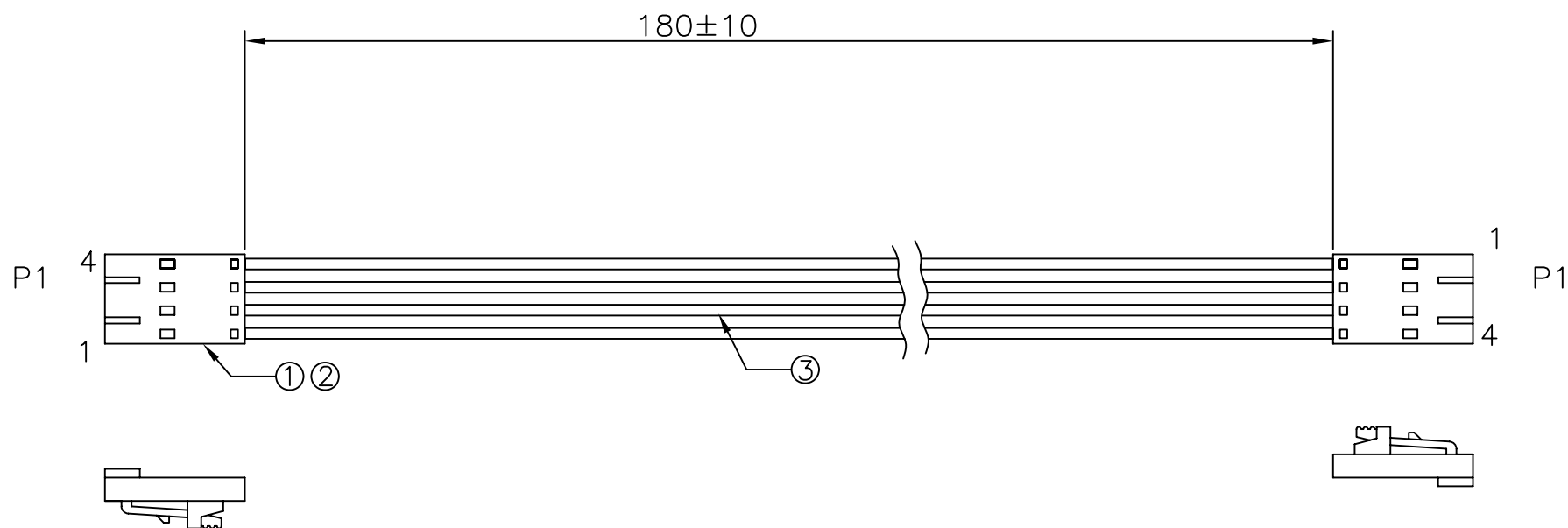
2

3

4

5


RoHS Compliant



PIN OUT:

P1		P2
1	Red(5vdc)	1
2	Green(gnd)	2
3	White(signal)	3
4	Black(signal)	4

ITEM	PART NO	DESCRIPTION	REMARK
1	HG254-04	2.54MM WIRE TO BOARO HOUSING 4WAYS	2
2	HSGT254T	2.54MM WIRE TO BOARO TERMINAL	8
3	809-100724TSW-XX	UL 1007 24Awg	4

F				DRAWN:	GENERAL TOLERANCE:		SIZE
E				Tom	.X=±0.2 .XX=±0.15		
D				CHECKED:	UNIT: MM	DESCRIPTION:	A4
C				Ruby	SCALE:		
B				APPROVAL:	SHEET: 1 / 1	PART NO:	HCA-HG254-04D-180
A	14-May-2019	(H0049)	Ken	Mike Wu	PROJECTION:		
REV	DATE	FILE	BY				