

1

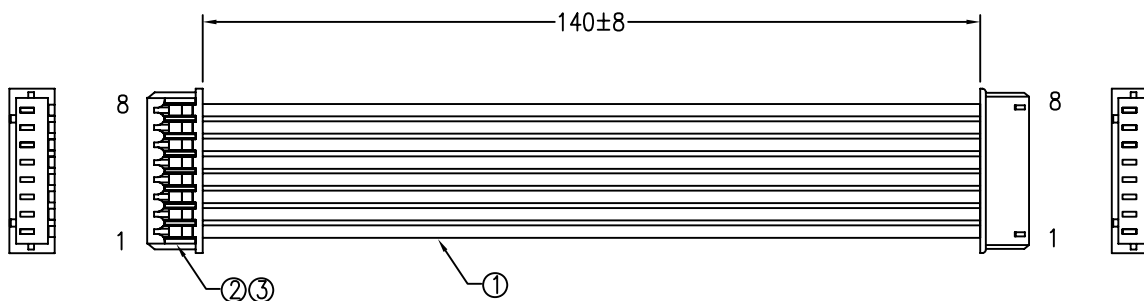
2

3

4

5


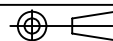
RoHS Compliant



PIN OUT:

P1		P2
1	RED	1
2	BLACK	2
3	BLACK	3
4	BLACK	4
5	BLACK	5
6	BLACK	6
7	BLACK	7
8	BLACK	8

ITEM	PART NO.	DESCRIPTION	REMARK
1	HS125-08	1.25MM WIRE TO BOARD HOUSING 8WAYS	2
2	HST125T	1.25MM WIRE TO BOARD TERMINAL	16
3	809-157126TSW-XX	UL1571 26AWG WIRE	8

F				DRAWN: Tom	GENERAL TOLERANCE: .X=±0.2 .XX=±0.15		DESCRIPTION: 8WAYS 1.25MM WIRE HARNESS (L=140mm)	SIZE A4
E				CHECKED: Ruby				
D				APPROVAL: Mike Wu	SCALE:	PART NO: HCA-HS125-08D-140		
C					APPROVAL: Mike Wu			SHEET: 1 / 1
B					PROJECTION: 			
A	02-Jun-2017	(H0049)	Ken					
REV	DATE	FILE	BY					