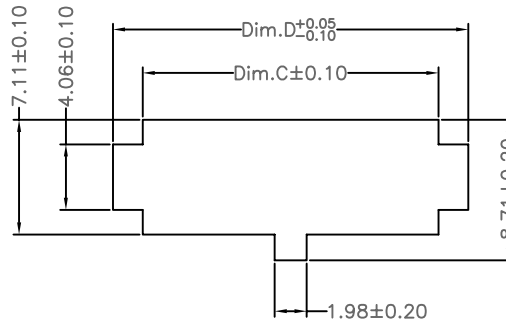
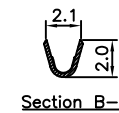
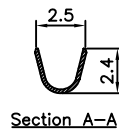
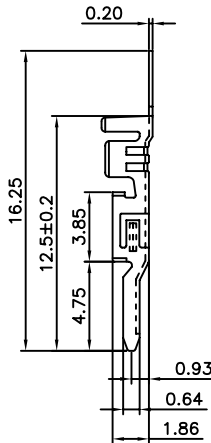
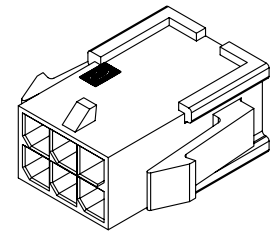


P/N: HPD30T



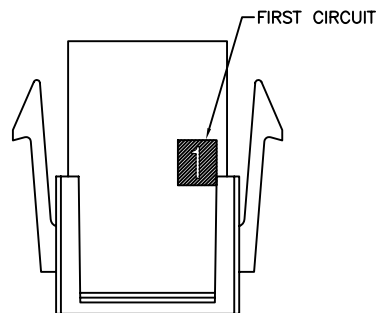
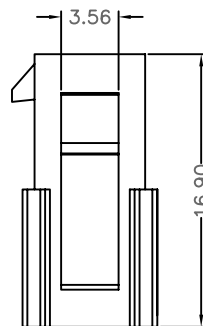
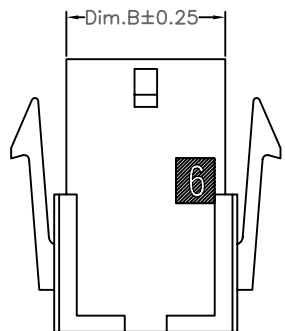
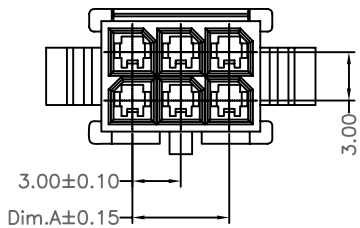
RECOMMENDED PANEL CUT-OUT



Specifications:

Current Rating:5.0A AC/DC  
 Voltage Rating:250V AC/DC  
 Contact Resistance:10m ohm. Max.  
 Insulation Resistance:1000M ohm. Min.  
 Withstanding Voltage:1.500V AC/Minute  
 Operating Temperature Range:-40°C~+85°C  
 Material and Finish  
 Insulator:Nylon66 UL94V-0  
 Insulator Color: Black  
 Contact:Phosphor Bronze  
 Plating: Tin Plated  
 Mating With:HPD30T terminal  
 How To Order  
 HPD30-XX

No. Of Positions



Dimension Information:

| Circuits | Dim.A | Dim.B | Dim.C | Dim.D |
|----------|-------|-------|-------|-------|
| 2        |       | 3.85  | 4.21  | 7.90  |
| 4        | 3.00  | 6.85  | 7.21  | 10.90 |
| 6        | 6.00  | 9.85  | 10.21 | 13.89 |
| 8        | 9.00  | 12.85 | 13.21 | 16.89 |
| 10       | 12.00 | 15.85 | 16.21 | 19.89 |
| 12       | 15.00 | 18.85 | 19.21 | 22.89 |
| 14       | 18.00 | 21.82 | 22.21 | 25.88 |
| 16       | 21.00 | 24.85 | 25.21 | 28.88 |
| 18       | 24.00 | 27.85 | 28.21 | 31.88 |
| 20       | 27.00 | 30.85 | 31.21 | 34.87 |
| 22       | 30.00 | 33.85 | 34.21 | 37.87 |
| 24       | 33.00 | 36.85 | 37.21 | 40.87 |

RoHS Compliant

|     |             |          |     |           |                       |          |  |                   |
|-----|-------------|----------|-----|-----------|-----------------------|----------|--|-------------------|
| F   |             |          |     | DRAWN:    | GENERAL TOLERANCE:    |          | DESCRIPTION:<br>3.0mm Power Female Housing & Male Terminal | SIZE<br><b>A4</b> |
| E   |             |          |     | Ken       | .X=±0.20<br>.XX=±0.15 |          |  |                   |
| D   |             |          |     | CHECKED:  | UNIT: MM              |          |  |                   |
| C   |             |          |     | Lily Chou | SCALE: 1:1            |          |  |                   |
| B   |             |          |     | APPROVAL: | SHEET: 1 / 2          | PART NO: | HPD30-XX & HPT30T  |                   |
| A   | 01-SEP-2012 | (PC0001) | Ken | Chao Peng | PROJECTION:           |          |  |                   |
| REV | DATE        | FILE     | BY  |           |                       |          |  |                   |