

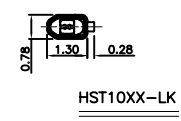
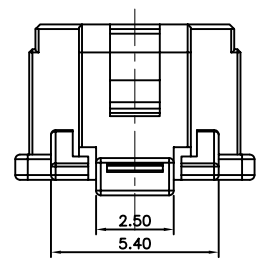
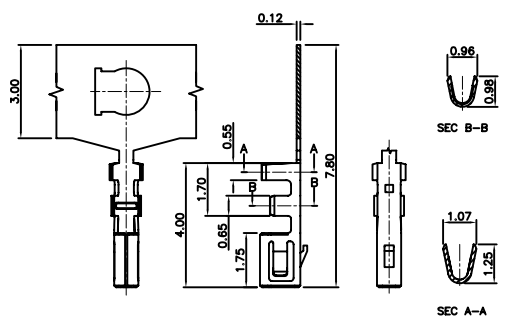
1

2

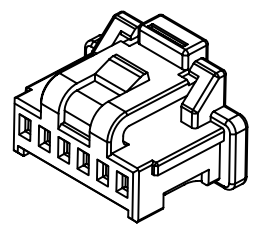
3

4

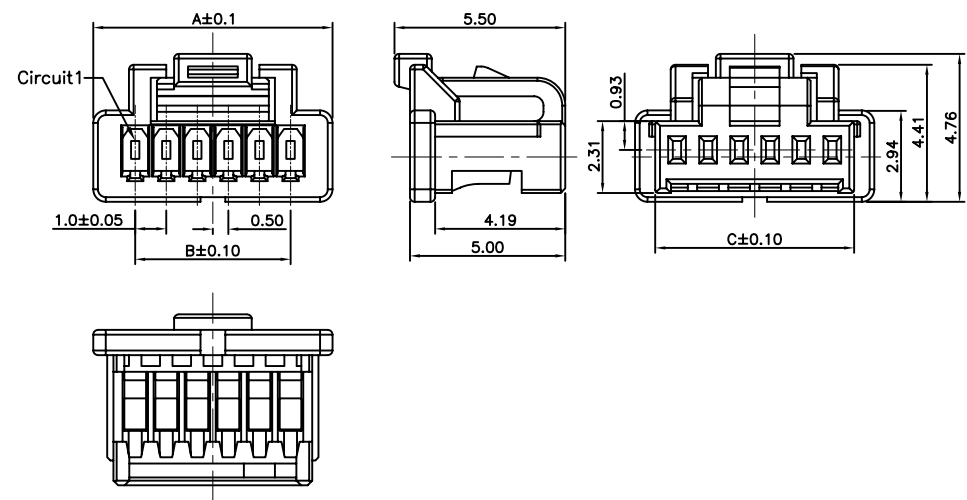
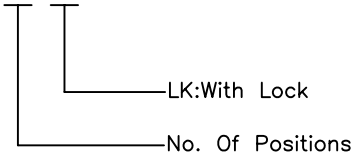
5



Specifications:  
 Current Rating:1.0A AC/DC  
 Voltage Rating:50V AC/DC  
 Contact Resistance:20m ohm. Max.  
 Insulation Resistance:100M ohm. Min.  
 Withstanding Voltage:500V AC/Minute  
 Operating Temperature Range:-25°C~+85°C  
 Applicable Wire:Awg28~32  
 Material and Finish  
 Insulator:Nylon 66 UL94V-0  
 Color:Black  
 Contact:Phosphor Bronze  
 Plating:Tin Plated



How To Order  
 HSA10-XX-LK



Circuits	A	B	C
06	7.7	5.0	6.4
07	8.7	6.0	7.4
08	9.7	7.0	8.4
09	10.7	8.0	9.4
10	11.7	9.0	10.4
11	12.7	10.0	11.4
12	13.7	11.0	12.4
13	14.7	12.0	13.4
14	15.7	13.0	14.4
15	16.7	14.0	15.4

RoHS Compliant

E				DRAWN: Ken	GENERAL TOLERANCE: .X=±0.20 .XX=±0.15		DESCRIPTION: 1.0mm Female Housing With Lock & Terminal	SIZE <b>A4</b>
D				CHECKED: Lily Chou	UNIT: MM			
C				APPROVAL: Chao Peng	SCALE: 1:1	PART NO: HSA10-XX-LK &HST10XX		
B					SHEET: 1 / 2			
A	16-Aug-2021	(PC0001)	Ken		PROJECTION:			
REV	DATE	FILE	BY					