

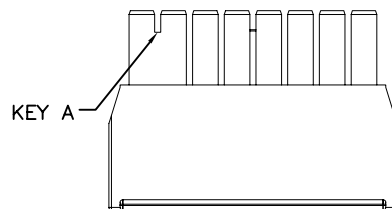
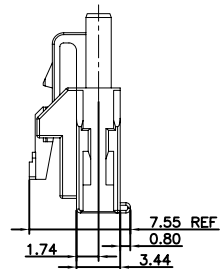
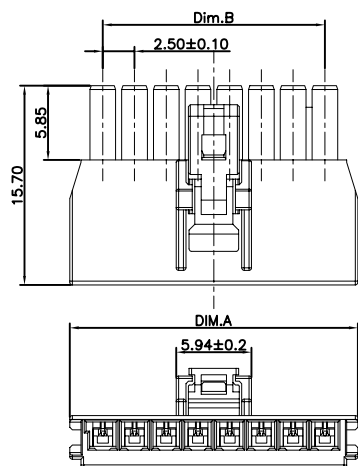
1

2

3

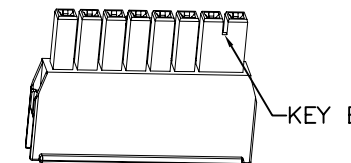
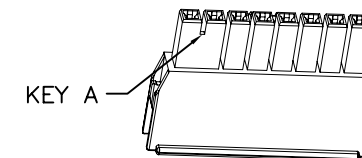
4

5



Specifications:

Current Rating:14.0A AC/DC
 Voltage Rating:400V AC/DC
 Contact Resistance:10m ohm. Max.
 Insulation Resistance:1000M ohm. Min.
 Withstanding Voltage:1.800V AC/Minute
 Operating Temperature Range:-40°C~+105°C
 Material and Finish
 Insulator:Nylon 4T UL94V-0
 Color:Black
 Contact:Phosphor Bronze
 Plating:Tin Plated
 Recommended Insulator



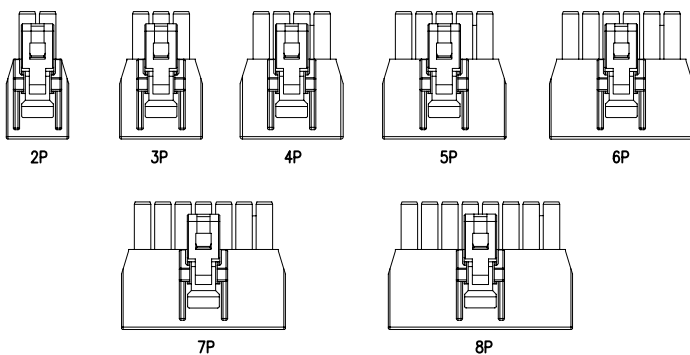
How To Order

HSA25-XX-KX-XX

BK:Black(only Key A)
 WH:White (only Key B)
 KA:With Lock A Key
 KB:With Lock B Key
 No. Of Positions

WITH TPA FEATURE

PART No.	DIM.A	DIM.B	COLOR
HSA25-02-KA-BK	7.70	2.50	BLACK (KEY A)
HSA25-03-KA-BK	10.20	5.00	
HSA25-04-KA-BK	12.70	7.50	
HSA25-05-KA-BK	15.20	10.00	
HSA25-06-KA-BK	17.70	12.50	
HSA25-07-KA-BK	20.20	15.00	
HSA25-08-KA-BK	22.70	17.50	
HSA25-02-KB-WH	7.70	2.50	
HSA25-03-KB-WH	10.20	5.00	
HSA25-04-KB-WH	12.70	7.50	
HSA25-05-KB-WH	15.20	10.00	
HSA25-06-KB-WH	17.70	12.50	
HSA25-07-KB-WH	20.20	15.00	
HSA25-08-KB-WH	22.70	17.50	



RoHS Compliant

F				DRAWN: Ken	GENERAL TOLERANCE: .X=±0.20 .XX=±0.15		DESCRIPTION: 2.5mm Female Single row Housing With Lock	SIZE A4
E				CHECKED: Lily Chou	UNIT: MM SCALE: 1:1			
D				APPROVAL: Chao Peng	SHEET: 1 / 2	PART NO: HSA25-XX-KX-XX		
C					PROJECTION:			
B								
A	04-Nov-2019	(PC0001)	Ken					
REV	DATE	FILE	BY					