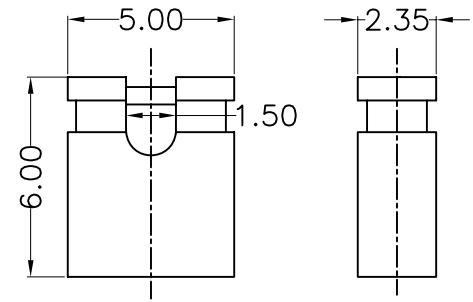
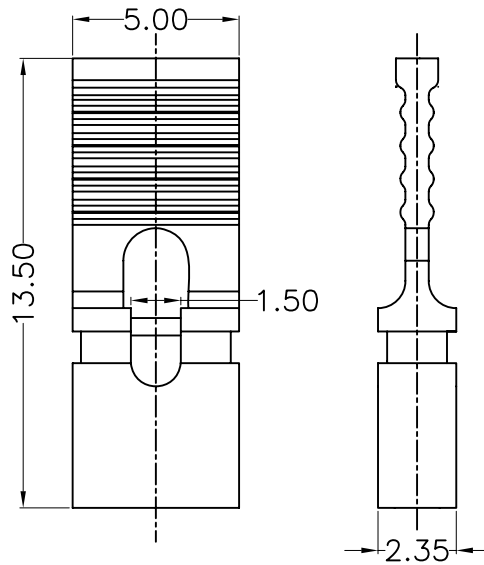


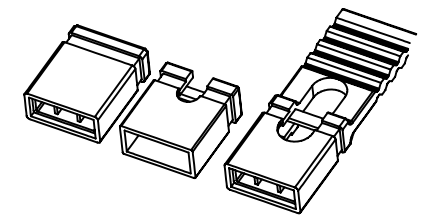
MJ254BG-XX



MJ254CG



MJ254GG(Nylon66)



Specifications:
 Current Rating:3.0A AC,DC
 Voltage Rating:250V AC,DC
 Contact Resistance: 20mΩ Max
 Insulation resistance:1000MΩ Min
 Withstanding Voltage:800V AC/Minute
 Temperature Range: -25°C to +125°C
 Material and Finish:
 Insulator: PBT & Nylon66 UL94V-0
 Contact: Brass
 Finish:Selective Gold Plated
 How To Order
 MJ254XG-XX

Insulator color
 Blank:Black
 BU=Blue
 RD=Red
 YL=Yellow
 GN=Green
 Type:B/C/G

F				DRAWN:	GENERAL TOLERANCE:		DESCRIPTION:	SIZE
E				Ken	.X=±0.20 .XX=±0.15			
D				CHECKED:	UNIT: MM	2.54mm Mini Jumper	PART NO:	A4
C				Lily Chou	SCALE: 1:1			
B				APPROVAL:	SHEET: 1 / 1	MJ254XG-XX		
A	01-SEP-2012	(PC0001)	Ken	Chao Peng	PROJECTION:			
REV	DATE	FILE	BY					