

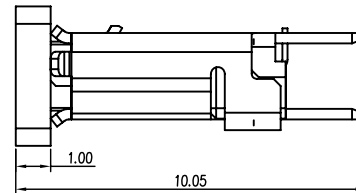
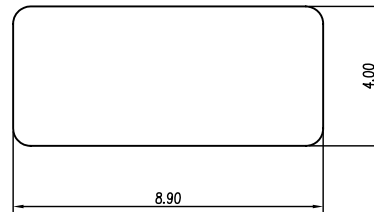
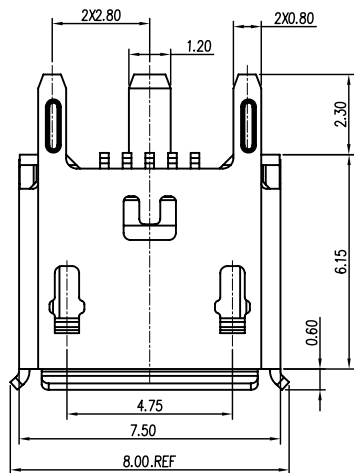
1

2

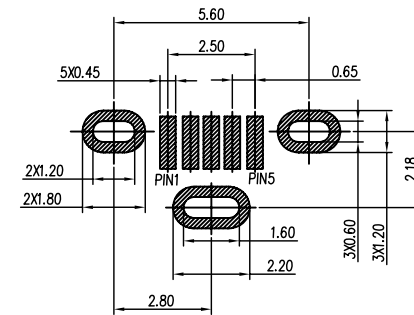
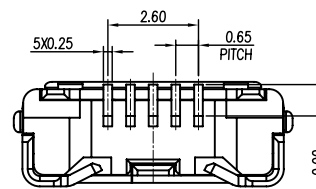
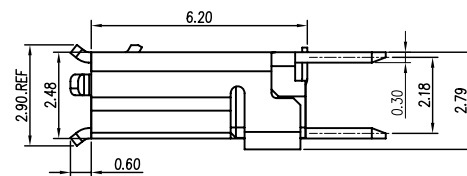
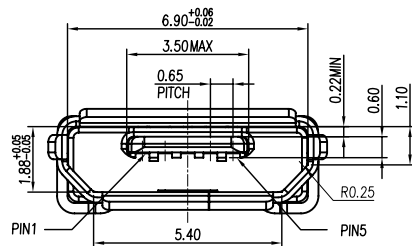
3

4

5



CAP DIMENSION SKETCH MAP



RECOMMENDED PCB LAYOUT(TOP VIEW)
GENERAL TOLERANCES: ±0.05

Specifications:
 Current Rating: 1.0A AC,DC
 Voltage Rating: 30V AC,DC
 Contact Resistance: 20M Ohm Max
 Insulation Resistance: 1,000M Ohm Min
 Withstanding Voltage: 750V AC/Minute
 Operating Temperature Range: -40°C to +105°C
 Materials:

Insulator: High Temp. Plastic (LCP UL94V-0)
 Contact: Phosphor Bronze
 Plating: Gold Plated on Contact Area,
 Tin Plated on Solder Tail.

Shell: SUS, Nickel Plate
 How To Order
 MUBPVSM-05-CR

Cap+Tape&Reel
 No. Of Positions
 Micro USB Plug Straight Type

RoHS Compliant

E				DRAWN: Jack Zhou
D				CHECKED: Ken Wang
C				APPROVAL: Make Hu
B				
A	11-Nov-2019	(PC0001)	Jack Zhou	
REV	DATE	FILE	BY	

GENERAL TOLERANCE: .X=±0.2 .XX=±0.15
UNIT: MM
SCALE: 2: 1
SHEET: 1 / 1
PROJECTION:

		DESCRIPTION: Micro USB Plug 5P Straight 180° Type
		PART NO: MUBPVSM-05-CR

SIZE A4

A

B

C

D