

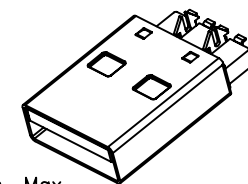
1

2

3

4

5

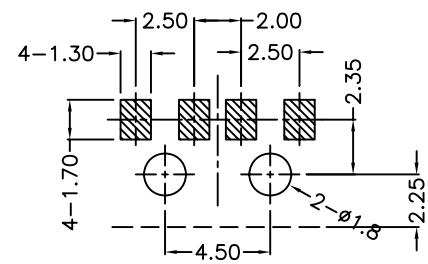
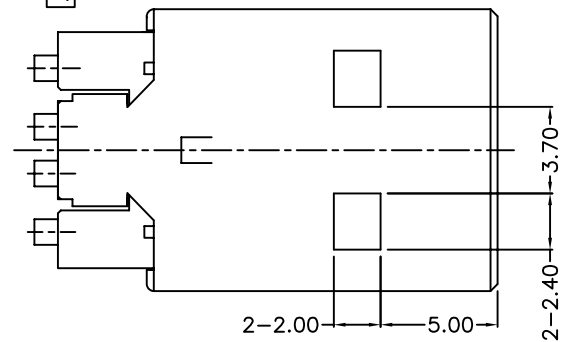
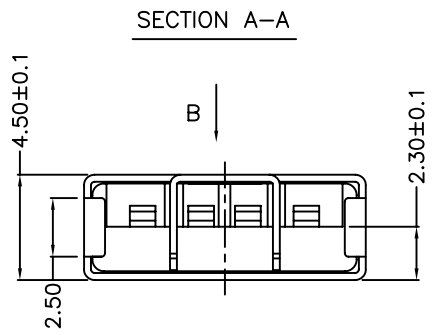
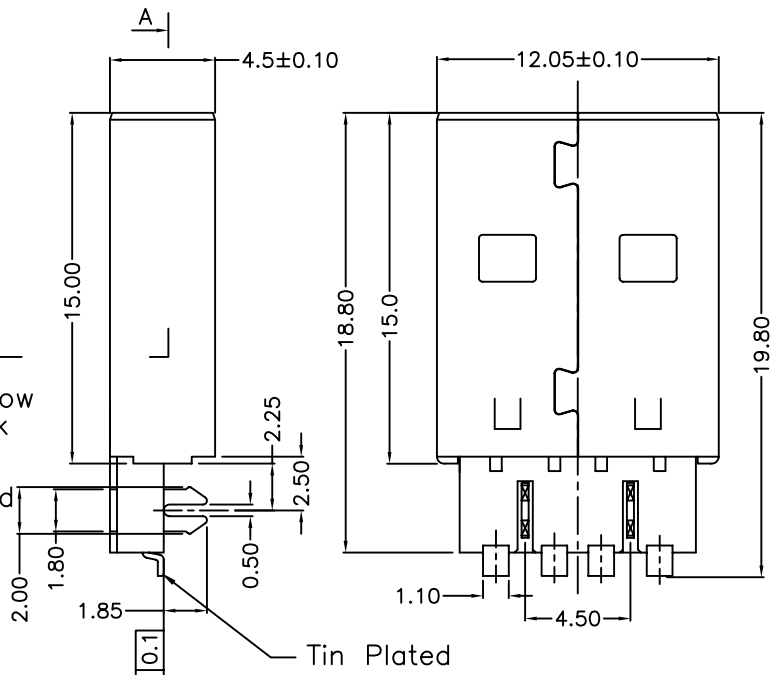
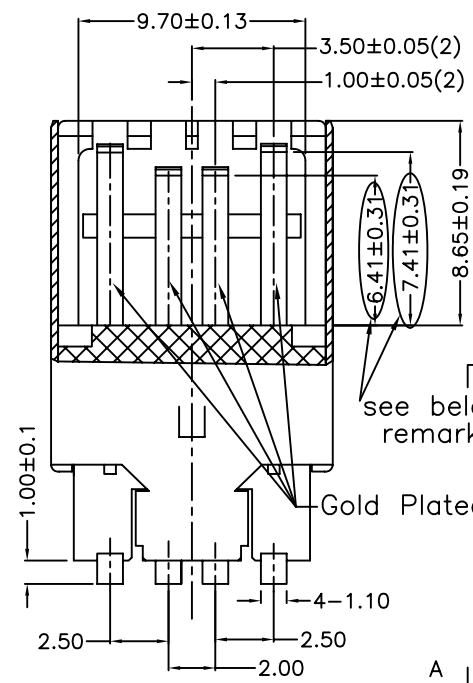


Specifications:  
 Current Rating: 1.0A AC/DC  
 Voltage Rating: 30V AC/DC  
 Contact Resistance: 20m Ohm. Max.  
 Insulation Resistance: 1000M Ohm. Min.  
 Withstanding Voltage: 750V AC/Minute  
 Operating Temperature Range: -40°C To +105°C  
 Materials:

Insulator: High Temp. Plastic (LCP, UL 94V-0)  
 Insulator Color: Black  
 Contact: Brass  
 Plating: Gold Plated in Contact Area,  
 Tin Plated on Solder Tails.  
 Shell: Nickel Plating  
 Mechanical Characteristics  
 Insertion force rating: 1.0~2.0kg/pc  
 Withdrawal force rating: 0.8~2.0kg/pc

How To Order  
 UBPARSM1-04-XX

WH: White  
 BK: Black  
 No. Of Positions  
 Plug A R/A SMT Type



REMARK: Critical Dimension to be noted

RoHS Compliant

				DRAWN: Huali	GENERAL TOLERANCE: .X=±0.2 .XX=±0.15		DESCRIPTION: USB A Plug 4P R/A SMT Type	SIZE <b>A4</b>
				CHECKED: Lily Chou	UNIT: MM			
				APPROVAL: Ken Wu	SCALE: 1:1	PART NO: UBPARSM1-04-XX		
REV	DATE	FILE	BY		PROJECTION:			