

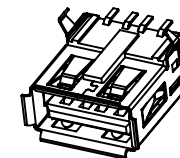
1

2

3

4

5



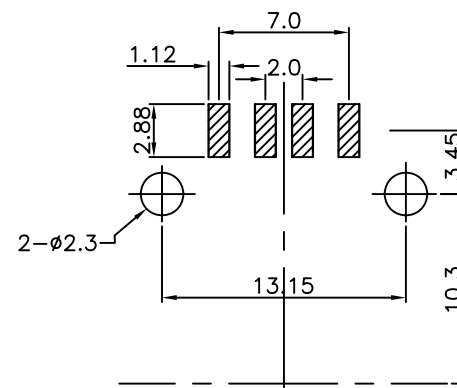
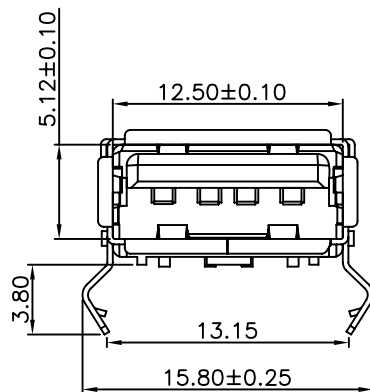
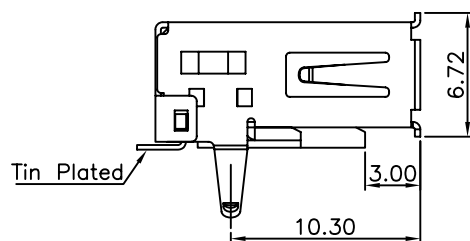
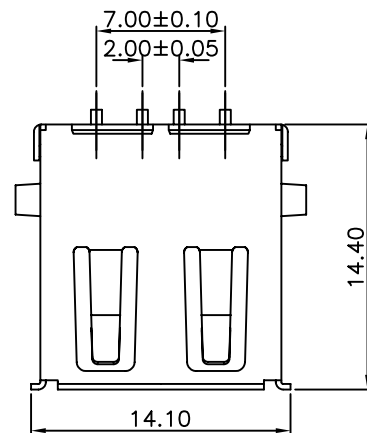
Specifications:

Current Rating:1.0A AC/DC
 Voltage Rating:30V AC/DC
 Contact Resistance:30m ohm. Max.
 Insulation Resistance:1,000M ohm. min.
 Withstanding Voltage:500V AC For One Minute
 Operating Temperature Range:-40°C ~ +105°C
 Material and Finish
 Insulator:LCP (UL94V-0)
 Contact:Brass
 Plating:Gold Plated on Contact Area,
 Tin Plated on Solder Tail.
 Shell:Brass,Nickel Plated

How To Order

UBSARSM1-04-XX-XX

Standard Selective Plated
 15:Selective Gold Plated 15u"
 30:Selective Gold Plated 30u"
 BK:Black
 WH:White



PCB Layout

RoHS Compliant

				DRAWN: Jack Zhou	GENERAL TOLERANCE: .X=±0.2 .XX=±0.15		
E				CHECKED: Ken Wang	UNIT: MM		DESCRIPTION: USB A Sokcet 4P R/A SMT Type
D				APPROVAL: Make Hu	SCALE:2:1	PART NO: UBSARSM1-04-XX-XX	A4
C					SHEET: 1 / 1		
B					PROJECTION:		
A	04-Sep-2013	(H0001)	Jack Zhou				
REV	DATE	FILE	BY				