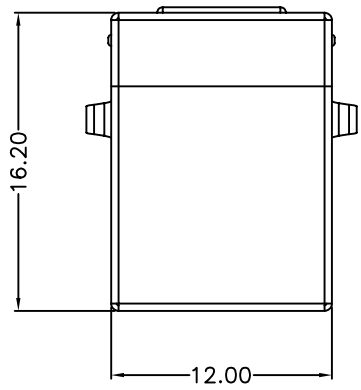
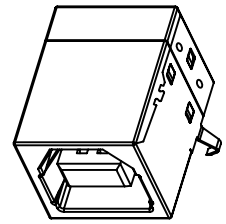


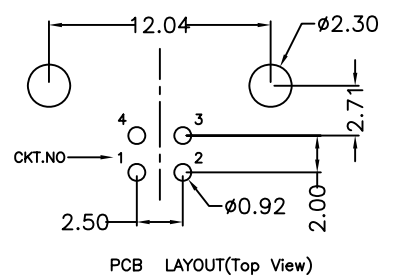
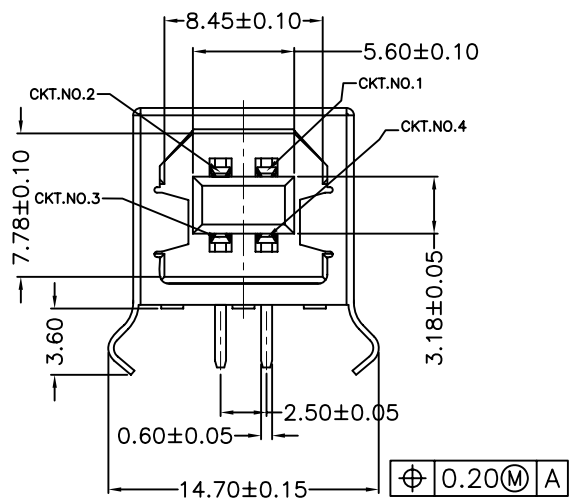
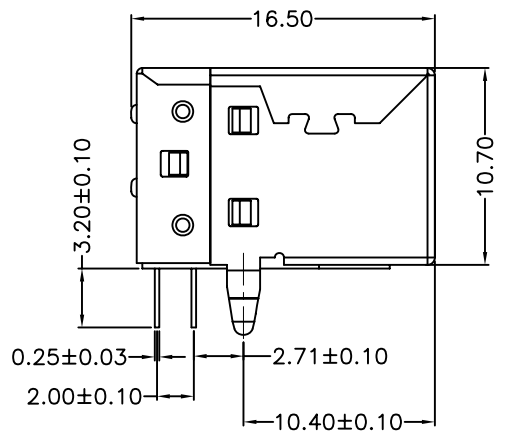
RoHS Compliant



Specifications:
 Current Rating:1.0A AC/DC
 Voltage Rating:30V AC/DC
 Contact Resistance:30m ohm. Max.
 Insulation Resistance:1,000M ohm. min.
 Withstanding Voltage:500V AC For One Minute
 Operating Temperature Range:-40°C ~ +105°C
 Material and Finish
 Insulator:PBT (UL94V-0)
 Contact:Phosphor Bronze
 Plating:Gold Plated on Contact Area,
 Tin Plated on Solder Tail.
 Shell:Brass,Nickel Plated

How To Order
 UBSBR-04-XX-XX

Standard Selective Plated
 15:Selective Gold Plated 15u"
 30:Selective Gold Plated 30u"
 BK:Black
 WH:White



				DRAWN: Jack Zhou	GENERAL TOLERANCE: .X=±0.2 .XX=±0.15		DESCRIPTION: USB B Sokcet 4P R/A Dip Type	SIZE A4
E				CHECKED: Ken Wang	UNIT: MM SCALE:2:1			
D				APPROVAL: Make Hu	SHEET: 1 / 1	PART NO: UBSBR-04-XX-XX		
C					PROJECTION:			
B								
A	04-Sep-2013	(PC0001)	Jack Zhou					
REV	DATE	FILE	BY					