

1

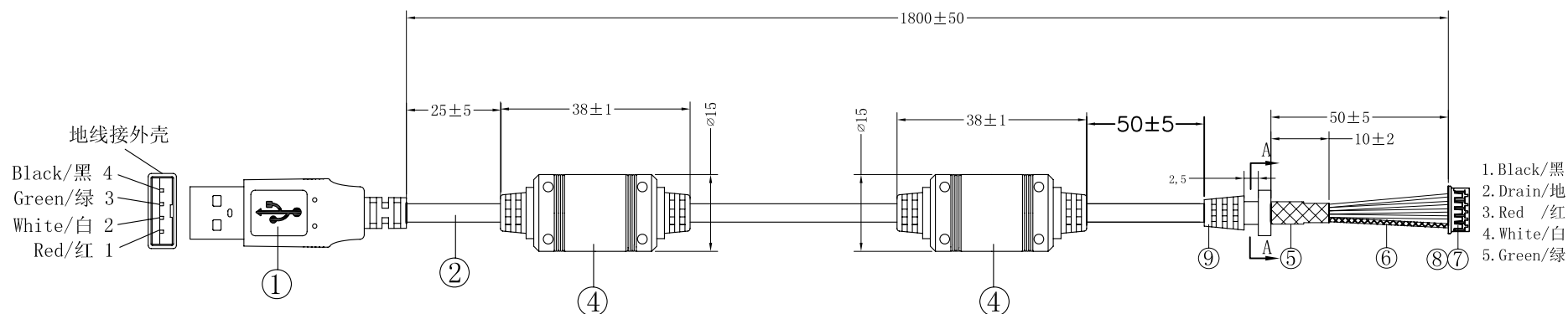
2

3

4

5

RoHS Compliant



No.	DESCRIPTION	SPECIFICATION	UNIT	Q' TY
1	PLUG	USB-A plug , used 45P black PVC. (USB-A 装配式直插, 用45P黑色PVC胶料)	SET	1
2	CABLE	UL 2725 #28 0.12X7TSX1P(white, green)+0.12X7TSX2C(red, black)+AL+7X0.12drain wire + 16/4/0.1 copper braid]x1F, black color PVC, O. D. 3.6 ± 0.1mm.	MM	1830 <sup>+10</sup> <sub>0</sub>
3	BAND WIRE	black color enfold gluey wire (黑色扎带)	MM	89 ± 3
4	CORE	RH 12 X 5.6 X 20 mm, Used 45P black color PVC. (RH 12X5.6X20磁环, 用45P黑色PVC胶料)	EA	1
5	HISHI TUBE	∅3.5 black colour, L=10 ± 2mm.	EA	1
6	HISHI TUBE	∅2.0 black colour, L=25 ± 2mm.	EA	1
7	HOUSING	HS125-05 or equivalent.	EA	1
8	TERMINAL	HST125T or equivalent.	EA	1
9	PLUG HOLDER	"4.5x4.5x2.5"Type, used 60P black color PVC. ("4.5x4.5x2.5"固顺用60P黑色PVC胶料)	EA	1

FUNCTION TEST: No open, no reversed polarity, no short-circuit, no INT

(功能测试: 无开路, 无极反, 无短路, 无INT).

CABLE ASSEMBLY SHALL BE IN COMPLIANCE WITH RoHS REQUIREMENT.

成品要求符合 RoHS 环保要求.

F				DRAWN:	GENERAL TOLERANCE:		DESCRIPTION:	SIZE
E				Ken	.X = ± 0.2 .XX = ± 0.15			
D	23-Apr-2016	add Dimension 50 ± 5	Ken	CHECKED:	UNIT: MM	USB Cable (USB A Plug To 1.25mm Housing L=1.8M)	PART NO:	A4
C	23-Apr-2016	modify SR	Ken	Ruby	SCALE:			
B	16-Apr-2016	add SR	Ken	APPROVAL:	SHEET: 1 / 1	USBA2-UBPSH125-1800		
A	14-Apr-2016	(H0049)	Ken	Mike Wu	PROJECTION:			
REV	DATE	FILE	BY					