

Specifications:

Current rating:5.0Amps
 Voltage rating:250V AC,DC
 Contact resistance:10mohm Max
 Insulation resistance:1,000Mohm min.
 Withstanding voltage:1,500V AC;DC
 Operating Temperature range:-25°C ~ +105°C
 Materials:

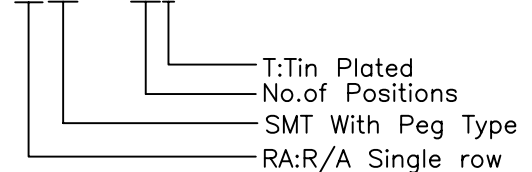
Insulator:High Temp.Plastic(Nylon 46 UL94V-0)
 Color:Black

Contact:Copper Alloy

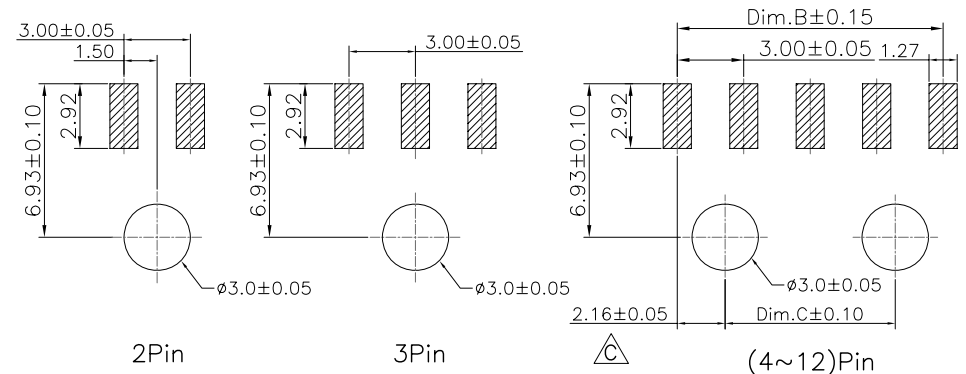
Plating:Tin Plated

How to order

WF2RASM30-XXT



Positions	Dimension			Positions	Dimension		
	A	B	C		A	B	C
2	9.65	3.00		8	27.65	21.00	16.70
3	12.65	6.00		9	30.65	24.00	19.70
4	15.65	9.00	4.70	10	33.65	27.00	22.70
5	18.65	12.00	7.70	11	36.65	30.00	25.70
6	21.65	15.00	10.70	12	39.65	33.00	28.70
7	24.65	18.00	13.70				



RoHS Compliant

F				DRAWN:	Ken
E				CHECKED:	Lily Chou
D				APPROVAL:	Chao Peng
C					
B					
A	01-SEP-2017	(PC0001)	Ken		
REV	DATE	FILE	BY		

GENERAL TOLERANCE:	.X=±0.20 .XX=±0.15
UNIT:	MM
SCALE:	1:1
SHEET:	1 / 2
PROJECTION:	

DESCRIPTION:	3.0mm Wafer Single Row R/A SMT Type
PART NO:	WF2RASM30-XXT

SIZE	A4
------	-----------