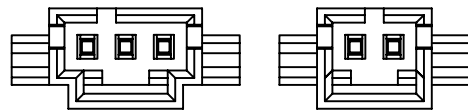
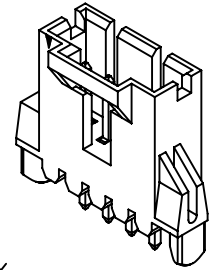
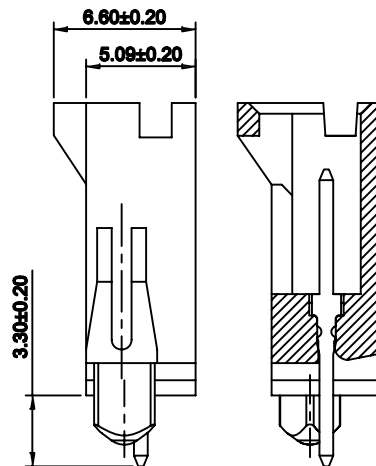
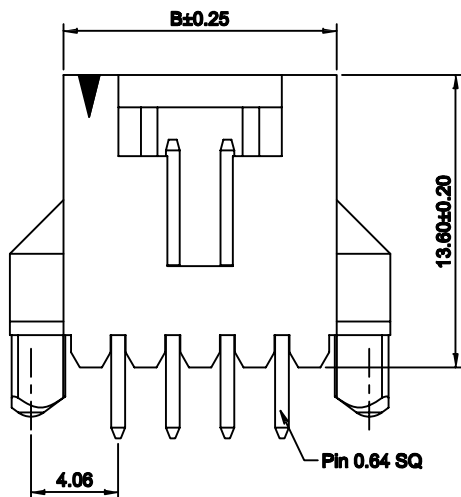


4P~25P



3P

2P



Specifications:

Current Rating:3.0A AC,DC  
 Voltage Rating:250V AC,DC  
 Contact Resistance:20mohm Max  
 Insulation Resistance:1000Mohm Min.  
 Withstanding Voltage:1000V AC/minute  
 Operating Temperature Range:-40°C~+105°C  
 Material And Finish:

Insulator:PBT (UL94V-0)

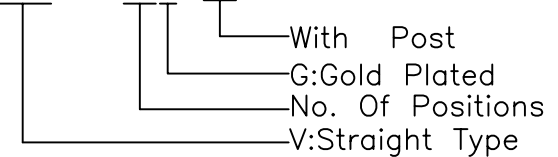
Insulator Color:Black

Contact:Brass

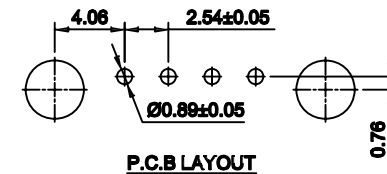
Plating:Gold Plated

How To Order

WF2V254-XXG-PG



| Circuits | Dim.A | Dim.B |
|----------|-------|-------|
| 2        | 2.54  | 7.62  |
| 3        | 5.08  | 10.16 |
| 4        | 7.62  | 12.70 |
| 5        | 10.16 | 15.24 |
| 6        | 12.70 | 17.78 |
| 7        | 15.24 | 20.32 |
| 8        | 17.78 | 22.86 |
| 9        | 20.32 | 25.40 |
| 10       | 22.86 | 27.94 |
| 11       | 25.40 | 30.48 |
| 12       | 27.94 | 33.02 |
| 13       | 30.48 | 35.56 |
| 14       | 33.02 | 38.10 |
| 15       | 35.56 | 40.64 |
| 16       | 38.10 | 43.18 |
| 17       | 40.64 | 45.72 |
| 18       | 43.18 | 48.26 |



RoHS Compliant

|     |             |         |     |
|-----|-------------|---------|-----|
| F   |             |         |     |
| E   |             |         |     |
| D   |             |         |     |
| C   |             |         |     |
| B   |             |         |     |
| A   | 12-Oct-2019 | (H0050) | Ken |
| REV | DATE        | FILE    | BY  |

DRAWN: Ken  
 CHECKED: Lily Chou  
 APPROVAL: Chao Peng

GENERAL TOLERANCE:  
 .X=±0.20  
 .XX=±0.15  
 UNIT: MM  
 SCALE: 1:1  
 SHEET: 1 / 1  
 PROJECTION:



DESCRIPTION:  
 2.54mm Pocket Header Straight Single Rowe  
 PART NO: WF2V254-XXG-PG

SIZE  
**A4**