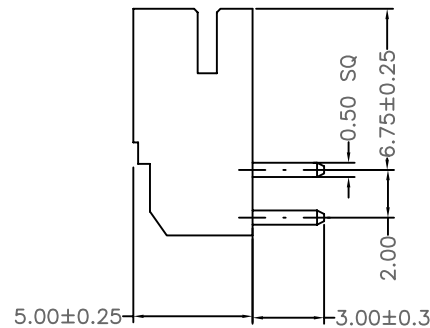
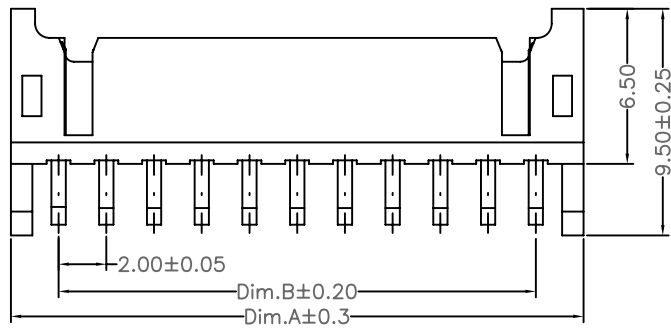
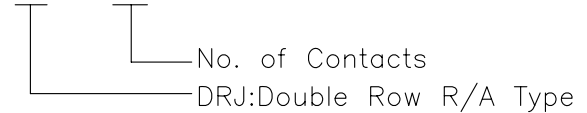


Specifications:

Current rating: 2.0A AC, DC
 Voltage rating: 125V AC, DC
 Contact resistance: 20m ohm. Max
 Insulation resistance: 1000M ohm. Min
 Withstanding voltage: 500V AC/minute
 Operating temperature range: -40°C ~ +85°C
 Material and Finish
 Insulator: High Temp Plastic (Nylon 66 UL94V-0)
 Insulator Color: Gray
 Contact: Brass
 Plated: Tin Plated

How To Order:

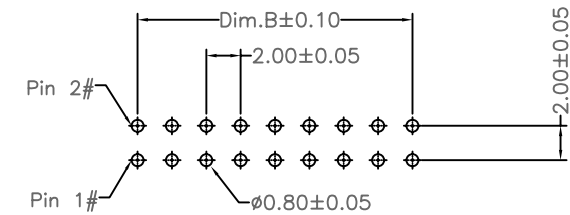
WFDRJ20-XX



Dimension:

8P~32P

Circuits	Dim.A	Dim.B	Circuits	Dim.A	Dim.B
6	7.90	4.00	20	21.90	18.00
8	9.90	6.00	22	23.90	20.00
10	11.90	8.00	24	25.90	22.00
12	13.90	10.00	26	27.90	24.00
14	15.90	12.00	28	29.90	26.00
16	17.90	14.00	30	31.90	28.00
18	19.90	16.00	32	33.90	30.00



PCB LAYOUT

RoHS Compliant

F				DRAWN:	GENERAL TOLERANCE:		DESCRIPTION:	SIZE
E				Ken	.X = ±0.20 .XX = ±0.15			
D				CHECKED:	UNIT: MM	2.0mm Wafer R/A Dip Type	A4	
C				Lily Chou	SCALE: 1:1			
B				APPROVAL:	SHEET: 1 / 1	PART NO:	A4	
A	12-Oct-2014	(CJ01)	Ken	Chao Peng	PROJECTION:			WFDRJ20-XX
REV	DATE	FILE	BY					