

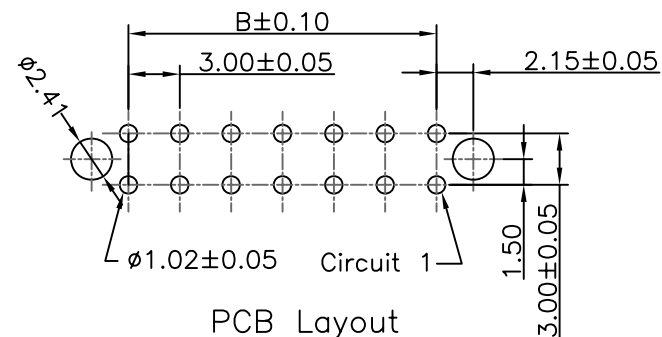
Specifications:

Current Rating:5.0A AC/DC  
 Voltage Rating:250V AC/DC  
 Contact Resistance:10m ohm. Max.  
 Insulation Resistance:1000M ohm. Min.  
 Withstanding Voltage:AC 1500V AC/minute  
 Operating Temperature Range:-25°C ~ +105°C  
 Material and Finish  
 Insulator:High Temp. Plastic (Nylon 46 UL94V-0)  
 Insulator Color:Black  
 Contact:Copper Alloy  
 Finish:Tin Plated

How to Order

WFDV30-XX-A

No.Of Positions  
 Straight



Circuits	Dimension		Circuits	Dimension	
	A	B		A	B
2	6.7	—	14	24.7	18.0
4	9.7	3.0	16	27.7	21.0
6	12.7	6.0	18	30.7	24.0
8	15.7	9.0	20	33.7	27.0
10	18.7	12.0	22	36.7	30.0
12	21.7	15.0	24	39.7	33.0

F				DRAWN:	GENERAL TOLERANCE:		DESCRIPTION: 3.0mm Pitch Power Wafer Straight Type	SIZE <b>A4</b>
E				Ken	.X=±0.20 .XX=±0.15			
D				CHECKED:	UNIT: MM			
C				Lily Chou	SCALE: 1:1			
B				APPROVAL:	SHEET: 1 / 2	PART NO:	WFDV30-XX-A	
A	01-SEP-2012	(PC0001)	Ken	Chao Peng	PROJECTION:			
REV	DATE	FILE	BY					