

Specifications:

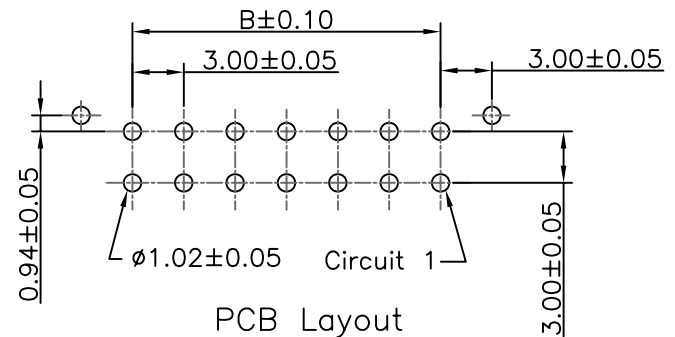
Current Rating:5.0A AC/DC
 Voltage Rating:250V AC/DC
 Contact Resistance:10m ohm. Max.
 Insulation Resistance:1000M ohm. Min.
 Withstanding Voltage:AC 1500V AC/minute
 Operating Temperature Range:-25°C ~ +105°C
 Material and Finish
 Insulator:High Temp. Plastic (Nylon 46 UL94V-0)
 Insulator Color:Black
 Contact:Copper Alloy
 Finish:Tin Plated

How to Order

WFDV30-XX

No.Of Positions
 Straight

Circuits	Dimension		Circuits	Dimension	
	A	B		A	B
2	6.7	—	14	24.7	18.0
4	9.7	3.0	16	27.7	21.0
6	12.7	6.0	18	30.7	24.0
8	15.7	9.0	20	33.7	27.0
10	18.7	12.0	22	36.7	30.0
12	21.7	15.0	24	39.7	33.0



F				DRAWN:	GENERAL TOLERANCE: .X=±0.20 .XX=±0.15
E				Ken	
D				CHECKED:	UNIT: MM SCALE: 1:1
C				Lily Chou	
B				APPROVAL:	SHEET: 1 / 2
A	01-SEP-2012	(PC0001)	Ken	Chao Peng	
REV	DATE	FILE	BY	PROJECTION:	

DESCRIPTION:	3.0mm Pitch Power Wafer Straight Type	SIZE
PART NO:		WFDV30-XX

HOYATO 东莞好亚通电子厂
 DESCRIPTION:
 3.0mm Pitch Power Wafer Straight Type
 PART NO:
 WFDV30-XX

SIZE	A4
------	-----------