

Specifications:
 Current rating:5.0Amps
 Voltage rating:250V AC,DC
 Contact resistance:10mohm Max
 Insulation resistance:1,000Mohm min.
 Withstanding voltage:1,500V AC;DC
 Operating Temperature range:-25°C ~ +105°C
 Materials:

Insulator:High Temp.Plastic(Nylon 46 UL94V-0)

Color:Black

Contact:Copper Alloy

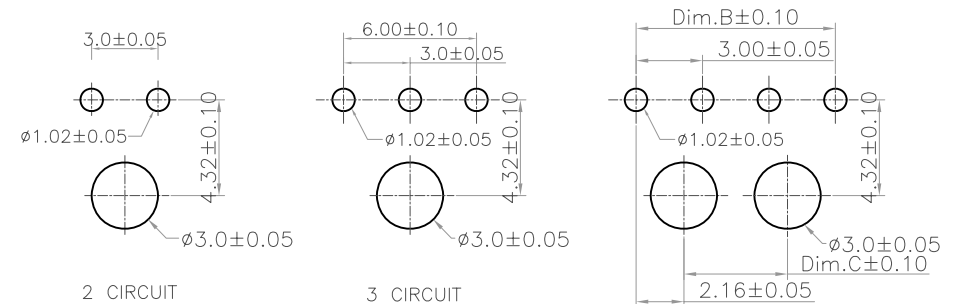
Plating:Tin Plated

How to order

WFRA30-XXT



Positions	Dimension			Positions	Dimension		
	A	B	C		A	B	C
2	9.65	3.00		8	27.65	21.00	16.70
3	12.65	6.00		9	30.65	24.00	19.70
4	15.65	9.00	4.70	10	33.65	27.00	22.70
5	18.65	12.00	7.70	11	36.65	30.00	25.70
6	21.65	15.00	10.70	12	39.65	33.00	28.70
7	24.65	18.00	13.70				



PCB LAYOUT

RoHS Compliant

F				DRAWN:	GENERAL TOLERANCE:		DESCRIPTION: 3.0mm Wafer Single Row R/A Type	SIZE A4
E				Ken	.X=±0.20 .XX=±0.15			
D				CHECKED:	UNIT: MM			
C				Lily Chou	SCALE: 1:1			
B				APPROVAL:	SHEET: 1 / 2	PART NO:	WFRA30-XXT	
A	01-SEP-2016	(PC0001)	Ken	Chao Peng	PROJECTION:			
REV	DATE	FILE	BY					