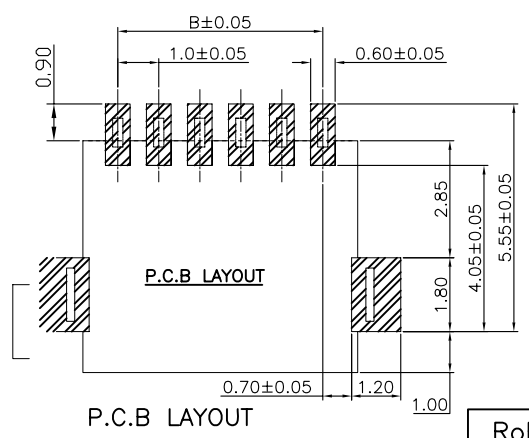
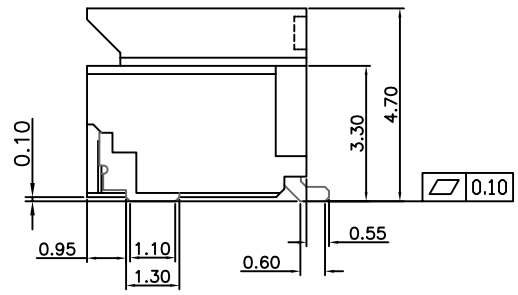
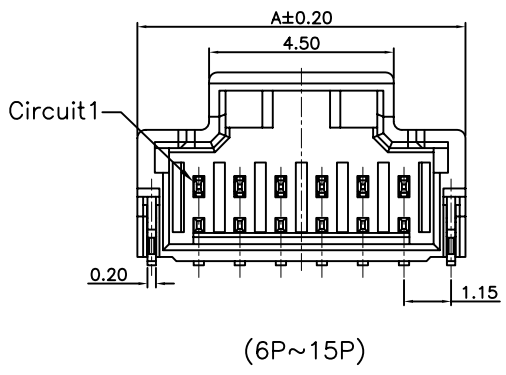


Specifications:
 Current Rating:1.0A AC,DC
 Voltage Rating:500V AC,DC
 Contact Resistance:20mohm Max
 Insulation Resistance:100Mohm Min.
 Withstanding Voltage:500V AC/minute
 Operating Temperature Range:-25°C~+105°C
 Material And Finish:
 Insulator:High Temp. Plastic(Nylon 9T UL94V-0)
 Insulator Color:Natural(Beigi)
 Contact:Copper Alloy
 Plating:Tin Plated
 Package:1000pcs/Reel

How To Order
 WFRASM10-XXX-LK-MCR

- Mylar and Tape & Reel
- LK:With Lock
- G:Gold Plated
- T:Tin Plated
- SG:Selective Gold Plated
- No. Of Positions
- VASM:Straight SMT Type



Poles	Dimension			Poles	Dimension			Poles	Dimension		
	A	B	C		A	B	C		A	B	C
2	4.0	1.0	3.2	6	8.0	5.0	3.7	11	13.0	10.0	8.7
3	5.0	2.0	4.2	7	9.0	6.0	4.7	12	14.0	11.0	9.7
4	6.0	3.0	5.2	8	10.0	7.0	5.7	13	15.0	12.0	10.7
5	7.0	4.0	6.2	9	11.0	8.0	6.7	14	16.0	13.0	11.7
				10	12.0	9.0	7.7	15	17.0	14.0	12.7

RoHS Compliant

F			
E			
D			
C			
B			
A	05-Dec-2021	(PC0001)	Ken
REV	DATE	FILE	BY

DRAWN: Ken
 CHECKED: Lily Chou
 APPROVAL: Chao Peng

GENERAL TOLERANCE:
 .X=±0.20
 .XX=±0.15

UNIT: MM
 SCALE: 1:1
 SHEET: 1 / 1
 PROJECTION:



DESCRIPTION:
 1.0mm Wafer Single Row SMT With Lock Type

PART NO:
 WFRASM10-XXX-LK-MCR

SIZE
A4