

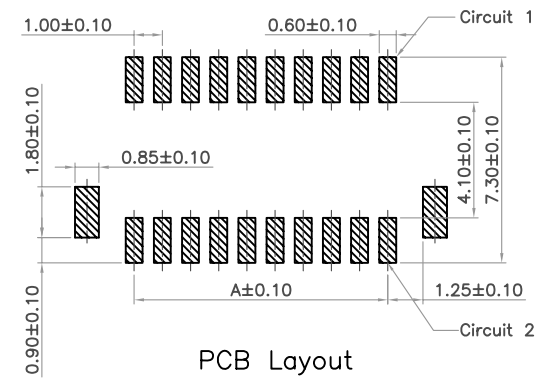
Specifications:

Current Rating:1.0A AC/DC
 Voltage Rating:50V AC/DC
 Contact Resistance:20m ohm. Max.
 Insulation Resistance:100M ohm. Min.
 Withstanding Voltage:500V AC For One Minute
 Operating Temperature Range:-25°C ~ +85°C
 Material and Finish
 Insulator:High Temp. Plastic (Nylon 46 UL 94V-0)
 Insulator Color: Natural(White)
 Contact:Brass
 Plated:Gold Plated

How To Order

WFRBSM10-XXG-TR

TR: Tape & Reel
 No. of Positions
 G: Gold Plated
 RSM: R/A SMT Type



Ordering Information & Dimensions

PART NO.	Dimensions		
	A	B	C
WFRDSM10-20	9.00	13.10	10.50
WFRDSM10-22	10.00	14.10	11.50
WFRDSM10-30	14.00	18.10	15.50
WFRDSM10-40	19.00	23.10	20.50
WFRDSM10-50	24.00	28.10	25.50

RoHS Compliant

F				DRAWN: Ken	GENERAL TOLERANCE: .X=±0.20 .XX=±0.15		DESCRIPTION: 1.0mm Wafer R/A SMT Type	SIZE A4
E								
D				APPROVAL: Chao Peng	SCALE: 1:1	PART NO: WFRBSM10-XX-TR		
C					PROJECTION:			SHEET: 1 / 1
B								
A	09-SEP-2013	(PC0001)	Ken					
REV	DATE	FILE	BY					