

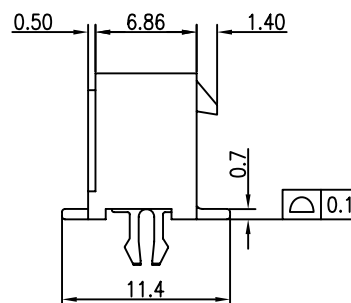
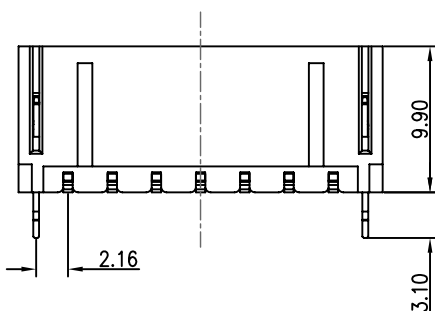
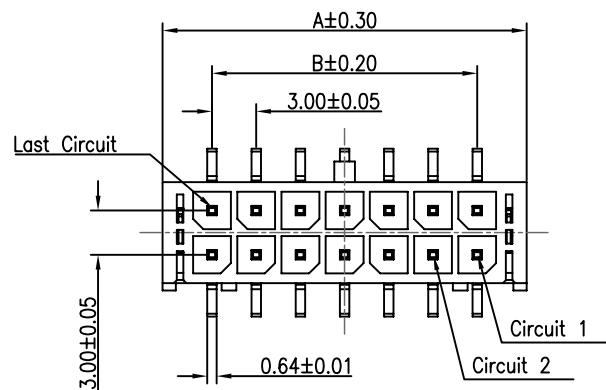
1

2

3

4

5



Circuits	Dimension		Circuits	Dimension	
	A	B		A	B
2	6.7	—	14	24.7	18.0
4	9.7	3.0	16	27.7	21.0
6	12.7	6.0	18	30.7	24.0
8	15.7	9.0	20	33.7	27.0
10	18.7	12.0	22	36.7	30.0
12	21.7	15.0	24	39.7	33.0

## Specifications:

Current Rating:5.0A AC/DC

Voltage Rating:250V AC/DC

Contact Resistance:10m ohm. Max.

Insulation Resistance:1000M ohm. Min.

Withstanding Voltage:AC 1500V AC/minute

Operating Temperature Range:-25°C ~ +105°C

Material and Finish

Insulator:High Temp. Plastic (Nylon 46 UL94V-0)

Insulator Color:Black

Contact:Copper Alloy

Finish:Tin Plated

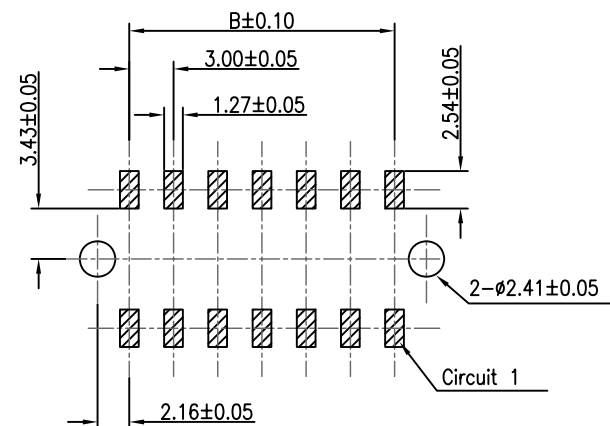
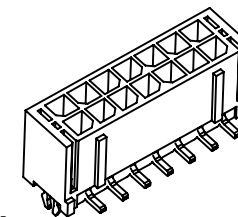
How to Order

WFVSM30-XXT

Tin Plated

No.Of Positions

Straight SMD Type



PCB Layout

RoHS Compliant

F				DRAWN:	
E				Ken	
D				CHECKED:	
C				Lily Chou	
B				APPROVAL:	
A	01-SEP-2013	(PC0001)	Ken	Chao Peng	
REV	DATE	FILE	BY		

DRAWN:  
Ken

CHECKED:  
Lily Chou

APPROVAL:  
Chao Peng

GENERAL TOLERANCE:

.X=±0.20

.XX=±0.15

UNIT: MM

SCALE: 1:1

SHEET: 1 / 2

PROJECTION:



DESCRIPTION:

3.0mm Power Wafer Straight SMT Type

PART NO:

WFVSM30-XXT

SIZE

**A4**