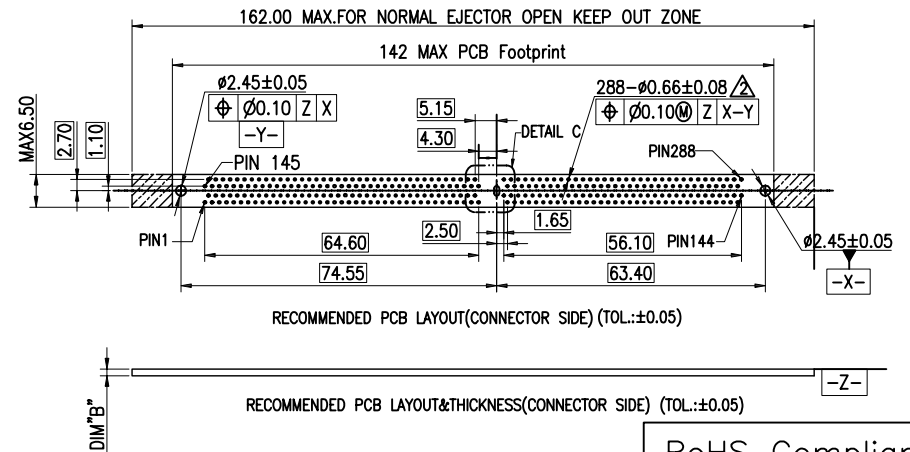
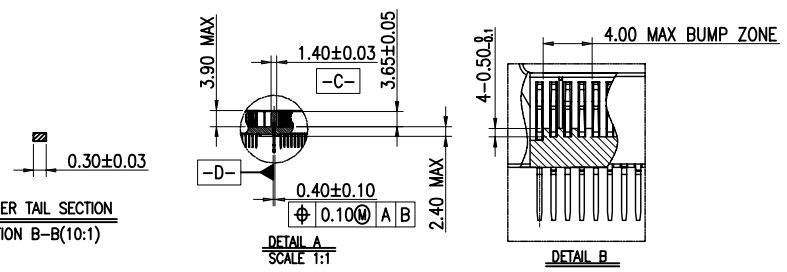
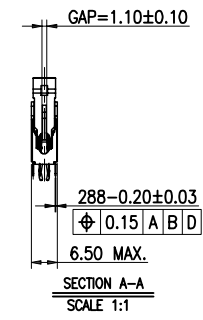
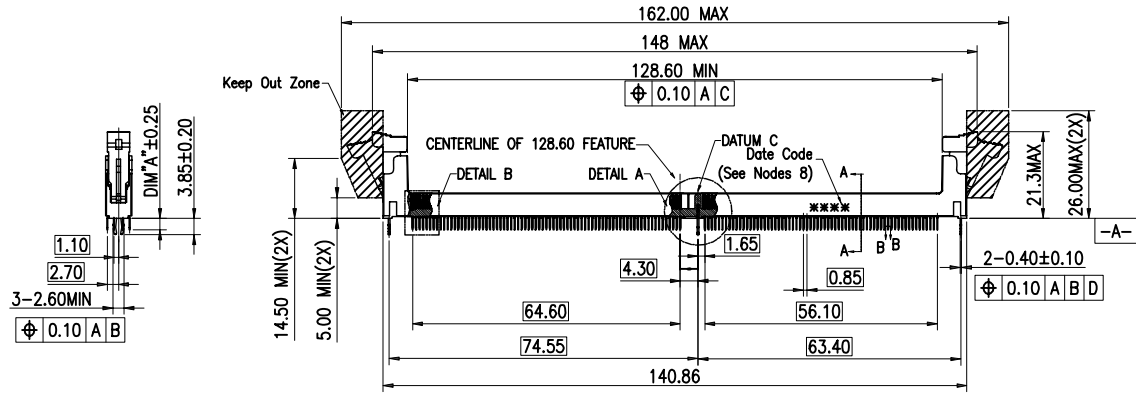


Electric Specifications  
 Current Rating:1.0Amps  
 Rating Voltage: 125V AC  
 Insulation Resistance:100M Ohm Min At DC 500V  
 Contact Resistance:30m Ohm Max At DC 100m Amps  
 Withstanding Voltage:1 Minute At 500V r.m.s Min  
 Temperature Range:-40°C~100°C  
 Materials:  
 Insulator:High Temp. Plastic (LCP UL94V-0)  
 Insulator Color:Balck  
 Terminal :Copper Alloy  
 Plating:Selective Gold Plated



RoHS Compliant

|     |             |          |            |                      |                    |          |   |                |
|-----|-------------|----------|------------|----------------------|--------------------|----------|---|----------------|
| E   |             |          |            | DRAWN:               | GENERAL TOLERANCE: |          | DESCRIPTION: DDR Rev4.0 S.O. DIMM SOCKET, 288P, RVS TYPE, SMD Standard Type | SIZE<br><br>A4 |
| D   |             |          | WGL        | .X=±0.2<br>.XX=±0.15 |                    |          |   |                |
| C   |             |          | CHECKED:   | UNIT: MM             |                    |          |   |                |
| B   |             |          | Jeremy Liu | SCALE:2:1            |                    |          |   |                |
| A   | 17-Sep-2023 | (PC0001) | WGL        | APPROVAL:            | SHEET: 1 / 2       | PART NO: | DDR4-288  |                |
| REV | DATE        | FILE     | BY         | Mike Wu              | PROJECTION:        |          |   |                |