

1

2

3

4

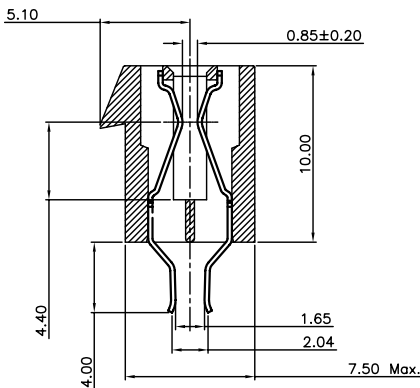
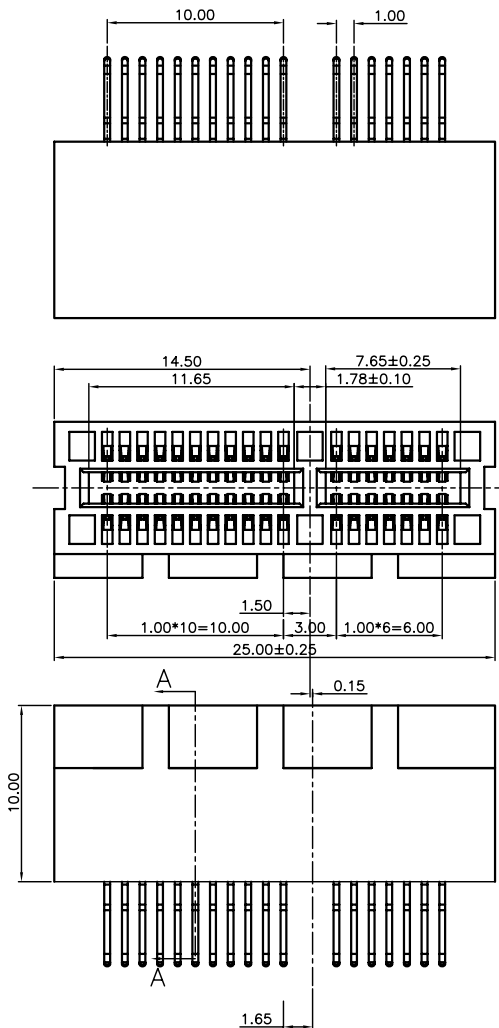
5

A

B

C

D



SECTION A-A

Electric Specifications  
 Current Rating:1.1Amps  
 Rating Voltage: 250V AC  
 Insulation Resistance:100M Ohm Min At DC 500V  
 Contact Resistance:30m Ohm Max At DC 100m Amps  
 Withstanding Voltage:1 Minute At 750V r.m.s Min  
 Temperature Range:-40°C~85°C

Materials:  
 Insulator:High Temp. Plastic (Nylon 66 UL94V-V0)  
 Insulator Color:Black  
 Terminal :Copper Alloy  
 Plating:Selective Gold Plated  
 Fork:Spcc Nickel Plated

How To Order  
 PCIECP10-36GX

Blank :Selective Gold 1u"  
 G3 :Selective Gold 3u"  
 G5 :Selective Gold 1u"  
 G15 :Selective Gold 15u"  
 No.of Positions  
 Clamping Plated Type

RoHS Compliant

				DRAWN: WGL	GENERAL TOLERANCE: .X=±0.2 .XX=±0.15			
E				CHECKED: Jeremy Liu	UNIT: MM		DESCRIPTION: PCI-E 36P Clampin Plated type (夹板式)	SIZE
D					SCALE:2:1			
C					SHEET: 1 / 1			
B				APPROVAL: Mike Wu	PROJECTION:	PART NO: PCIECP10-36GX		A4
A	04-Mar-2020	(PC0001)	WGL					
REV	DATE	FILE	BY					